

NVDNZV2BE

Date...../...../.....

Version 1.0



**SAMMITR**

# Mechanical Installation Manual

for

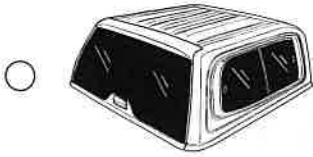
**Nissan Navara  
2021**

*S-plus V2*

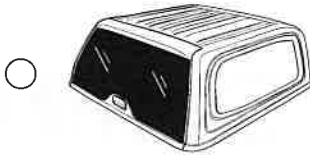


# SAMMITR

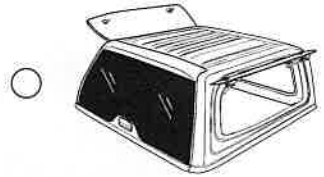
## ■ Steel Canopy S-Plus V2



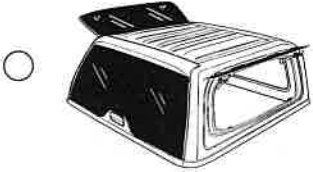
Glass Slide Window



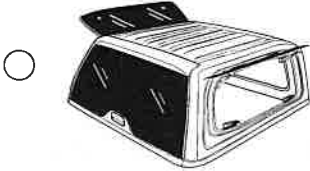
Solid Window



Solid Birdwing Window (Handle Lock)



Glass Birdwing Window (Handle Lock)

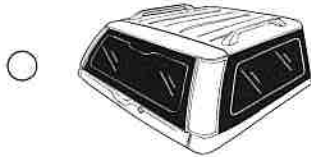


Glass Birdwing Window (Electric Lock)

## ■ Steel Canopy SUV-Plus V4



Glass Slide Window



Glass Fix Window



Glass Birdwing Window (Electric Lock)



Glass Birdwing Window (Handle Lock)

## ■ Steel Canopy TL-1



Glass Slide Window



Glass Birdwing Window (Handle Lock)



Glass Birdwing Window (Electric Lock)

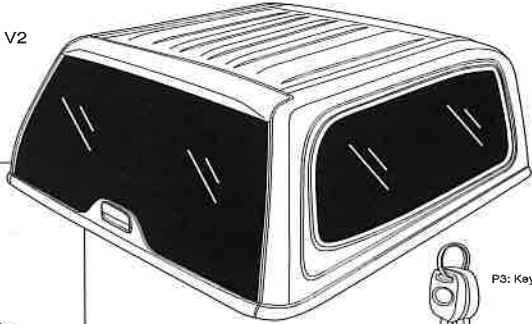


## Mechanical Installation Manual All Models

Steel Canopy : S-Plus V2  
Version 1.0

### Part In Main Carton

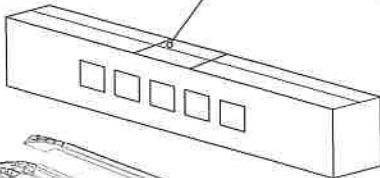
P1: Steel Canopy S-Plus V2



P3: Key

### Kit Box

Part List Paper



K1 : Roofrack R/L



K2 : Rubber R/L



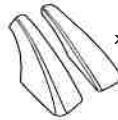
K3 : Switch Case



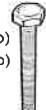
K4 : Wiring No.38



x4 (D-Cab)  
x6 (C-Cab)  
K5 : C-Clamp



x2  
K6 : Roofrack Cover



x8  
K7 : Bolt M6



K8 : T Paint



x8  
K9 : Washer M6

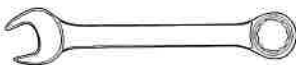


x8  
K10 : Washer M8



x8  
K11 : Spring Washer M6

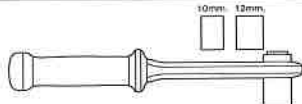
### Require Tools



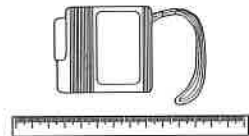
T1 : 13 mm. Wrench



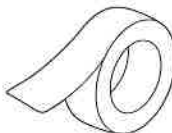
T2 : 10 mm. Wrench



T3 : 10,12mm. Torque Wrench



T4 : Measuring Tape/Ruler



T5 : Tape



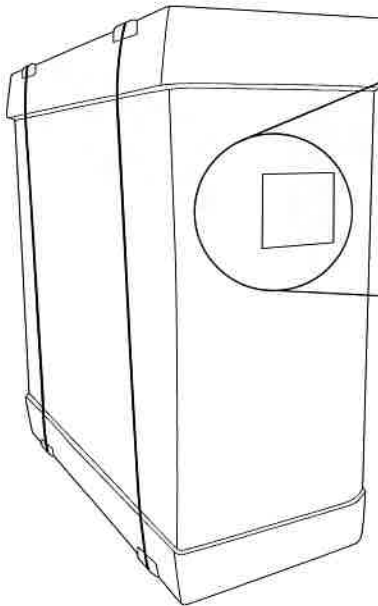
T6 : Electric Tape



T7 : Fabric

1

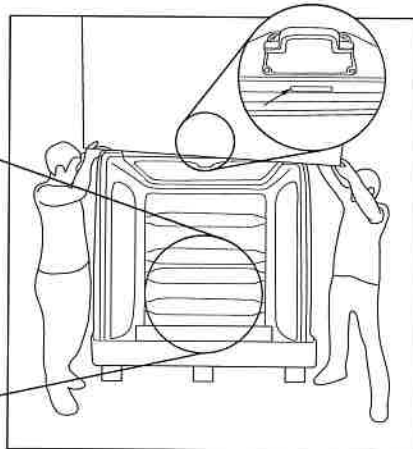
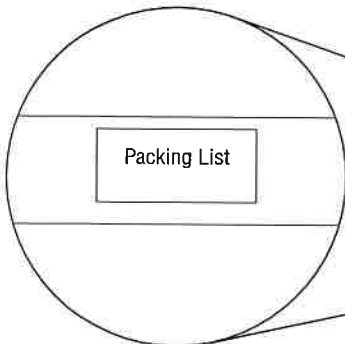
## The Procedure of checking the Sammitr canopy box before installation.



Brand  
Model  
Type  
Year  
Color  
Part number  
Serial number


1. Make sure that Sammitr canopy box is in good condition, No marks, distorts or any damages.
2. Check Model / Year of the canopy and Model / Year of the vehicle which have to be matching.
3. Check canopy serial number / model code and vehicle serial number / model code which have to be matching by looking at the rear canopy handle.

4. Check all the accessories received inside the box with the Packing List.





2

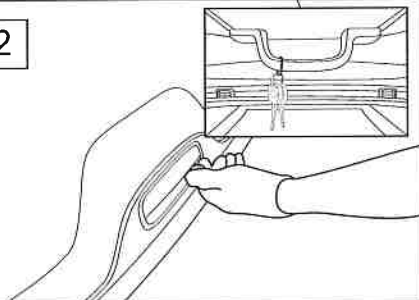
## The preparation process of Sammitr Canopy S-Plus V2 model before installation with the vehicle.

1

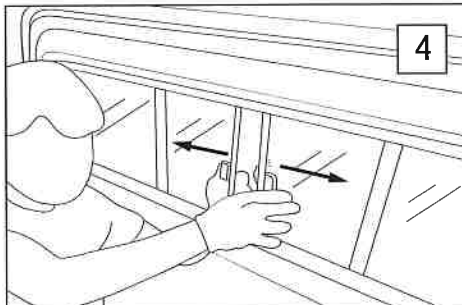


1. Canopy have to be in good condition, no damage, dent, cracks, smooth surface including no window damages or cracks.
2. Locking system is working for both keys.
3. Canopy sides are not damage, dent or cracks.
4. Canopy front window panel is working (open/close), no cracks or damages occurrences.
5. Check the Rear Door by open and close.

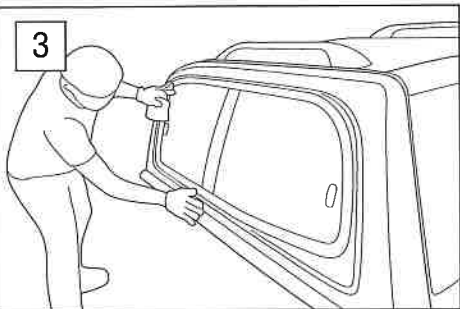
2



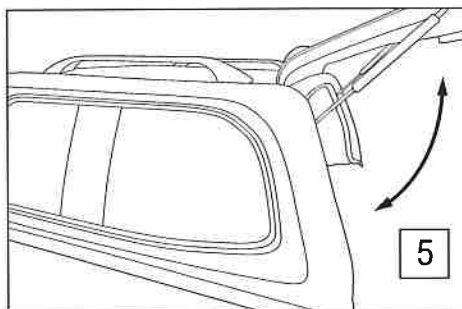
4



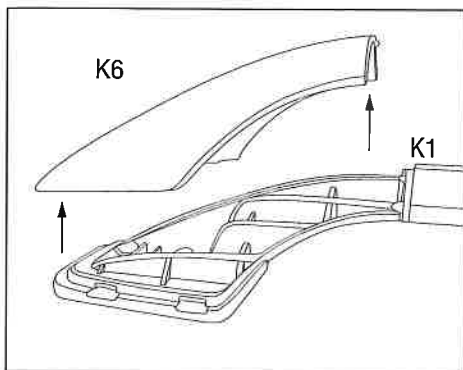
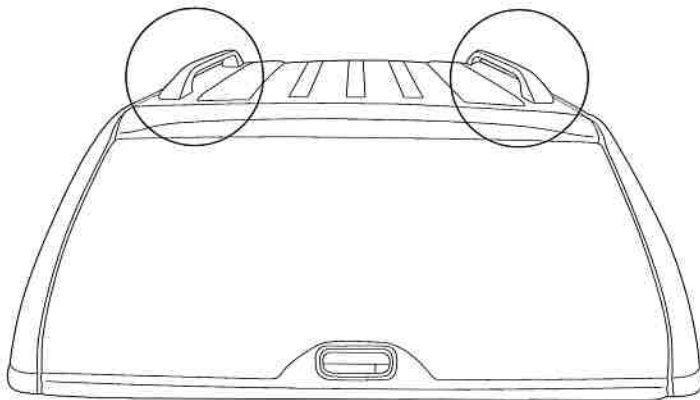
3



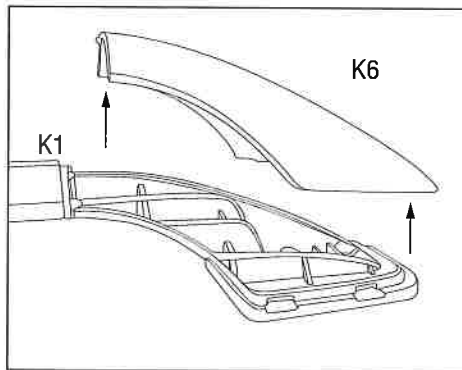
5



3 The process of Roof rack installation manual of the S-Plus V2 canopy before installs on the vehicle.



Roof rack Front Part – Rear Left

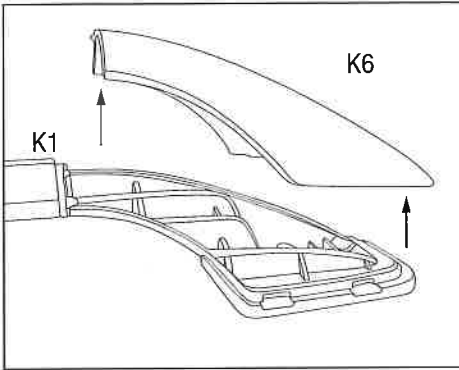


The process of remove the roof rack cover on the S-Plus V2 canopy in order to install nuts.

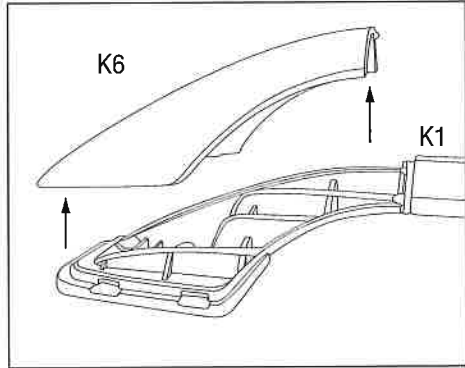


4

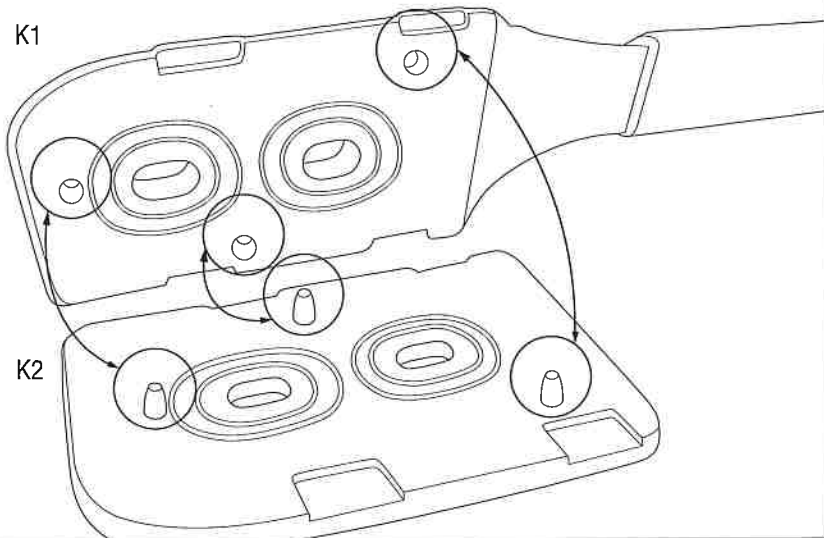
Roof rack Front part – Rear Right.



The process of remove the roof rack cover on the S-Plus V2 canopy in order to install nuts.



5



Rubber Pad dispatch position of the Roof rack legs when install on the canopy.



Bolt M6

K7

Washer M6

K9

SpringWasher M6

K11

Washer M8

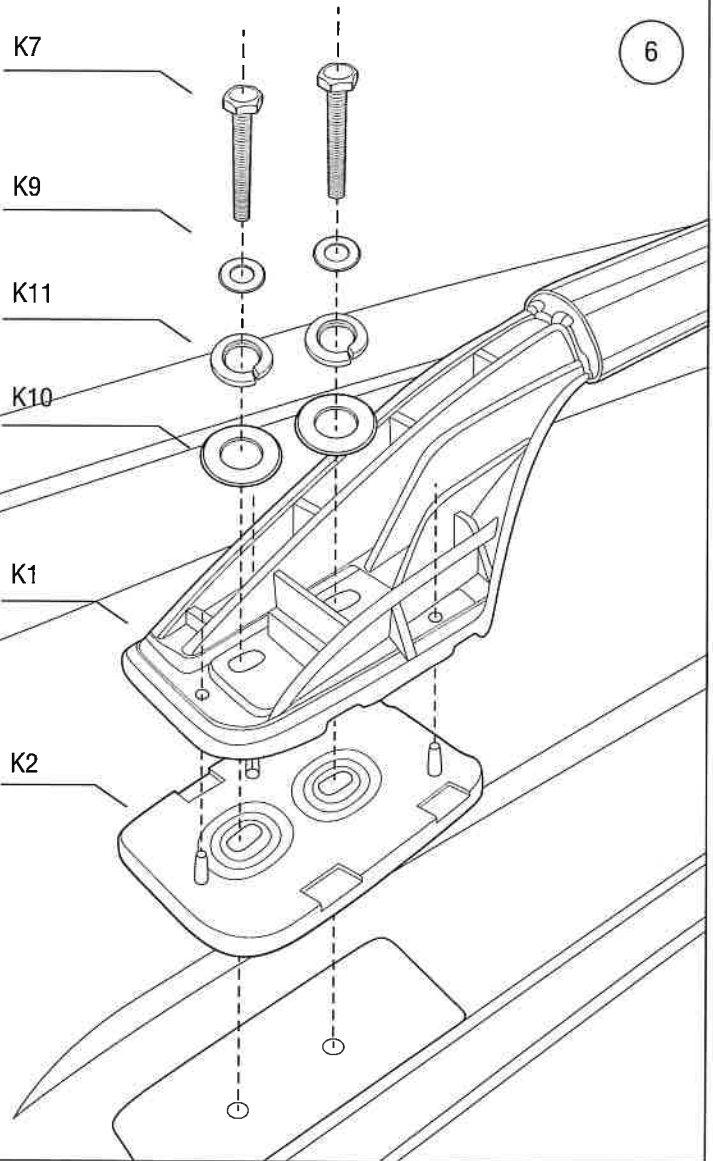
K10

Roofrack

K1

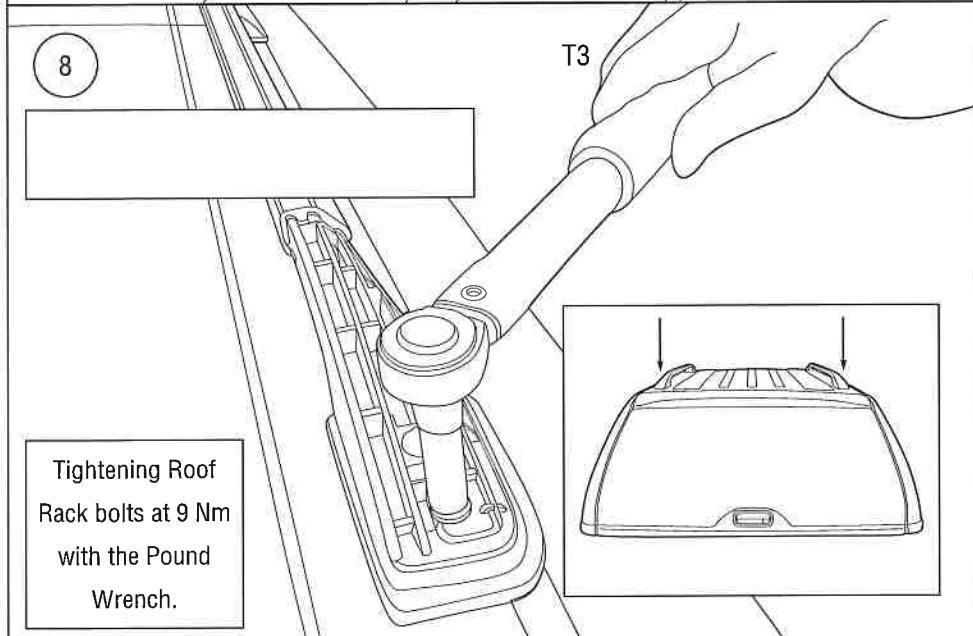
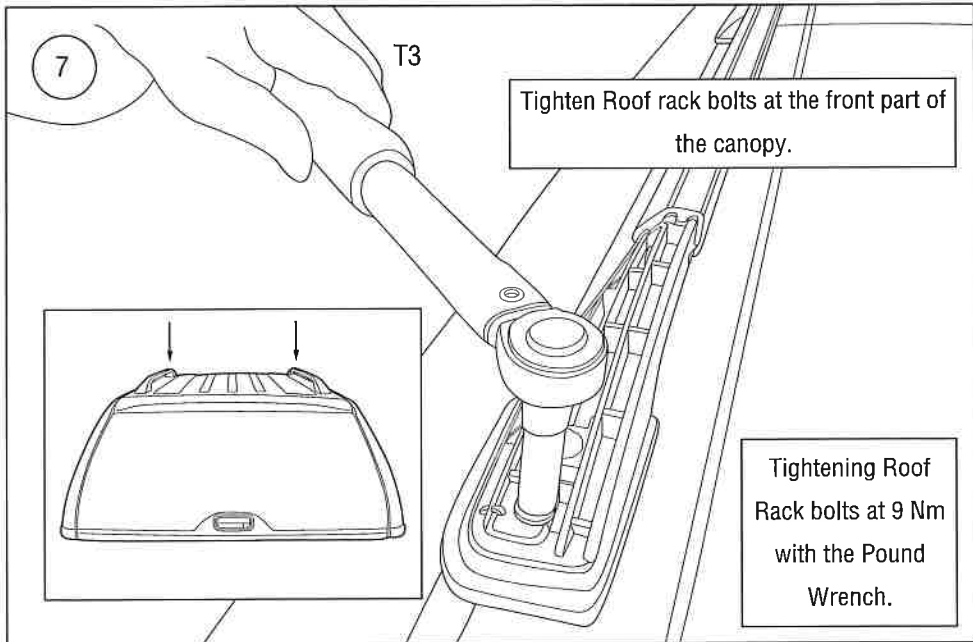
Rubber Pad

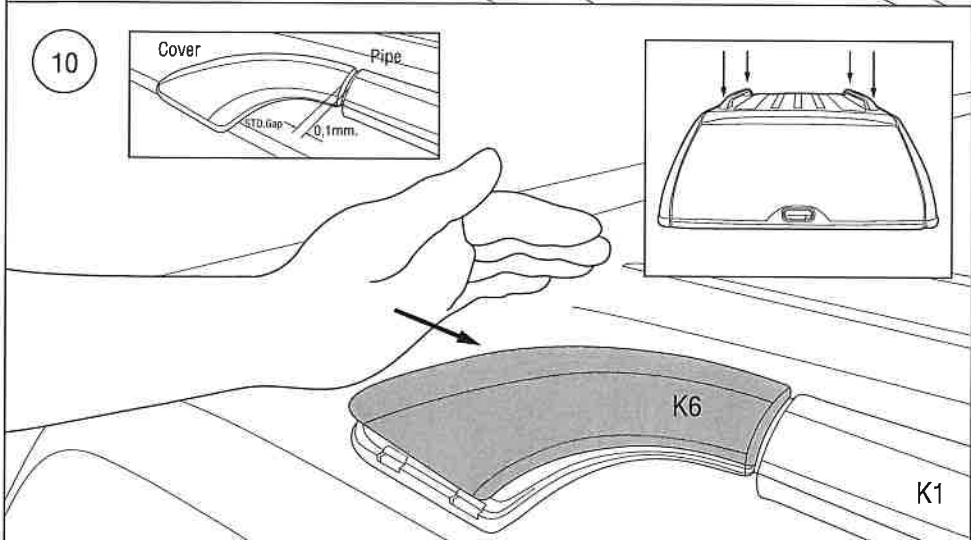
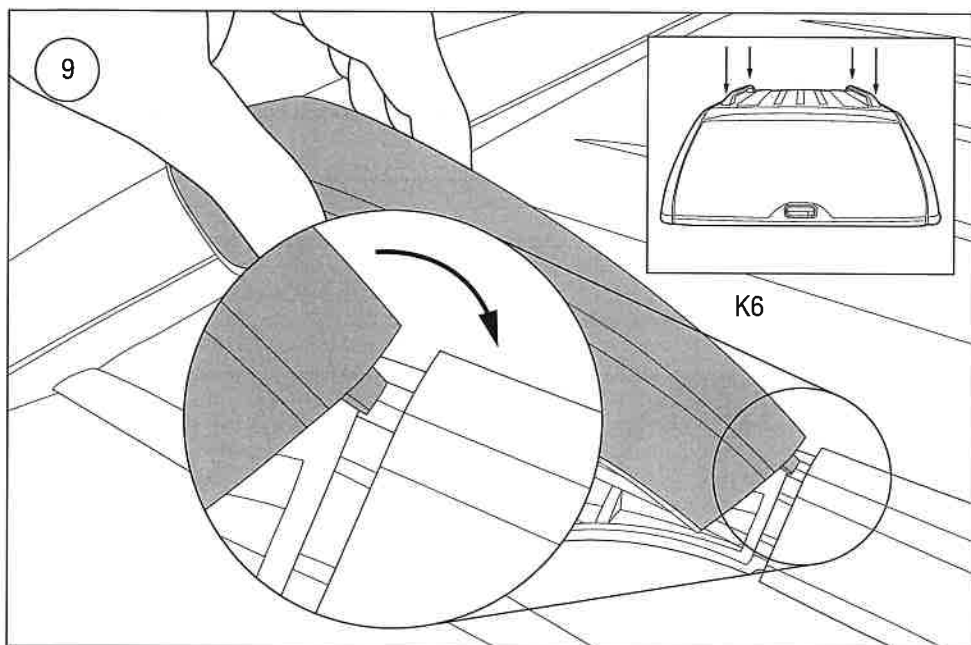
K2



The process/step of install Roof rack accessories on the S-Plus V2 canopy, all 4 points.







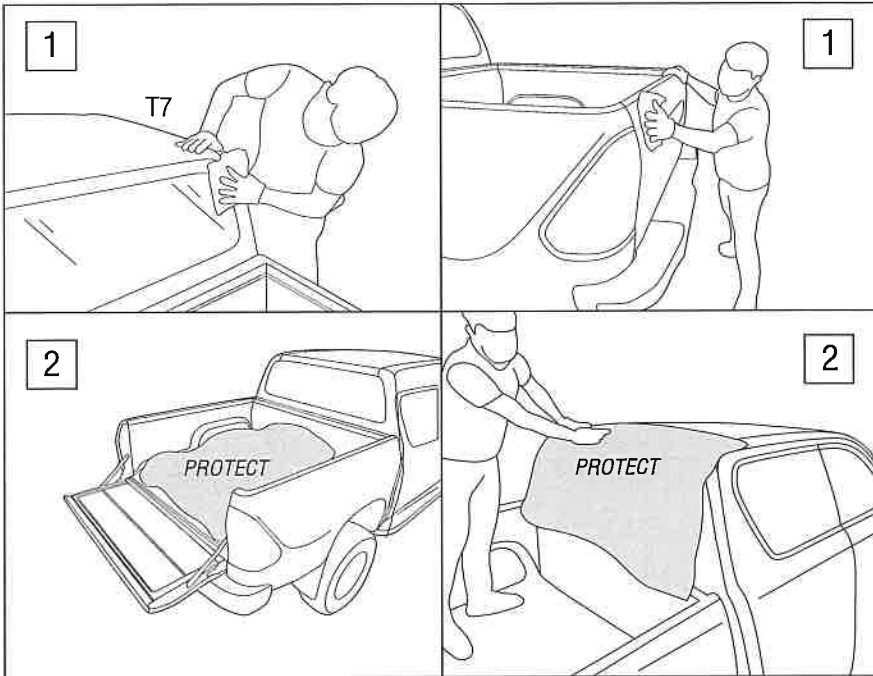
Press and push the Roof rack cover back to the position by hand, then check the gap between cover and roof rack ( pipe )

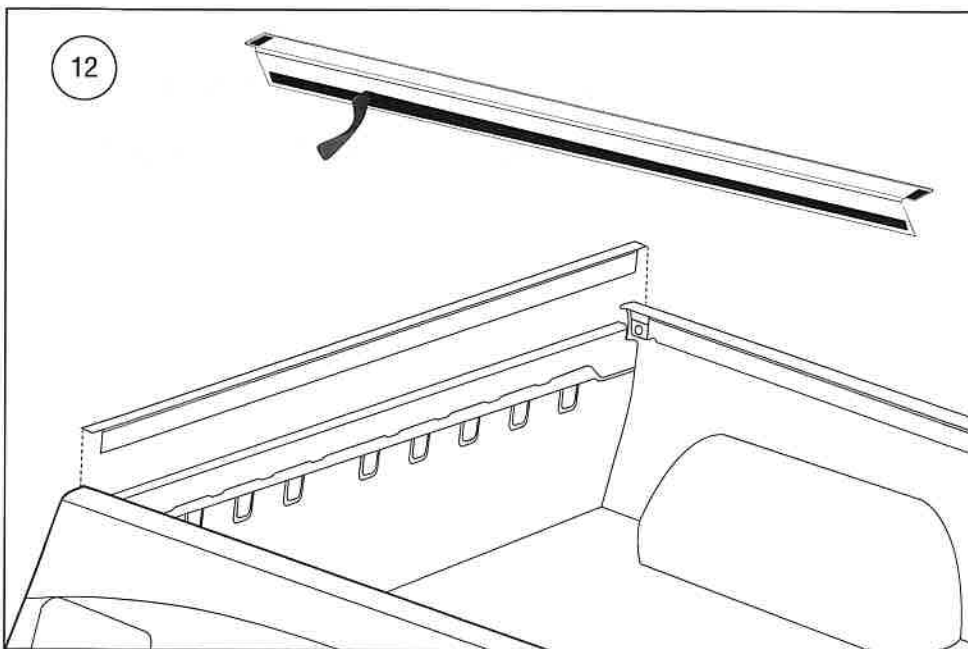


11

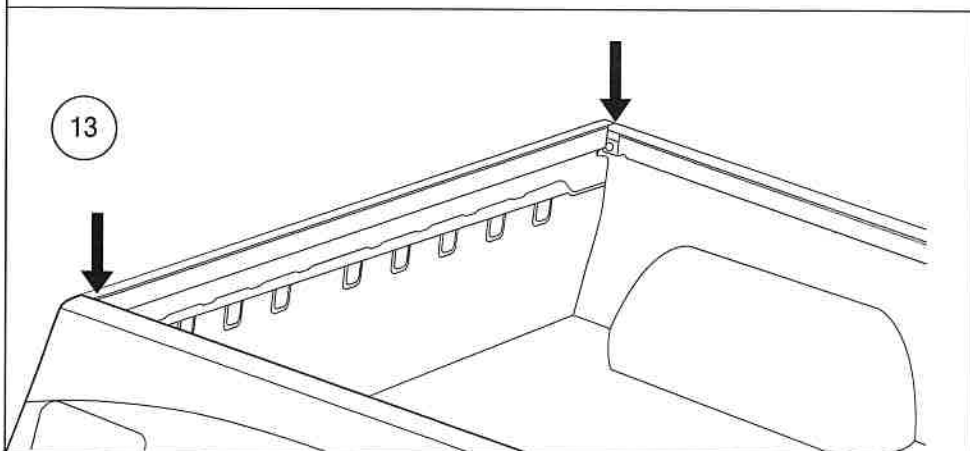
## The process of checking and preparing the Nissan Navara vehicle before install the canopy

1. Clean up the vehicle body including the top, all sides and Rear tub.
2. Cover the fabric to protect the scratches resistant.





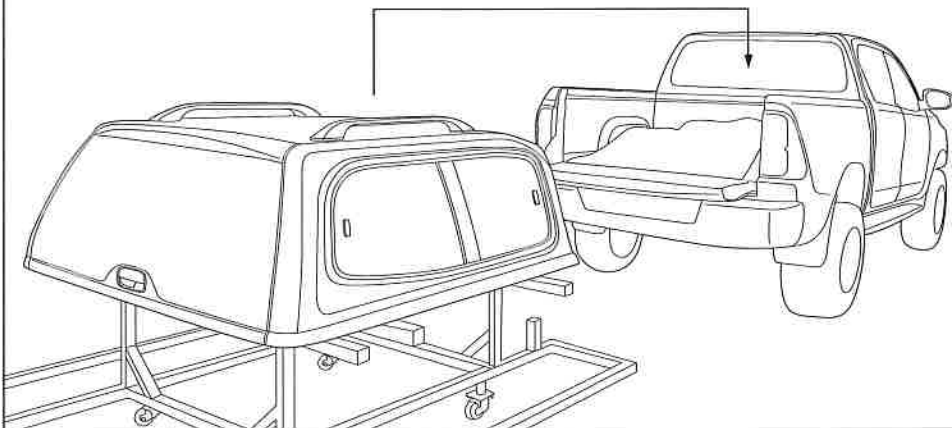
Take off the 3 M glue tape, install the L-Beam Cover FR



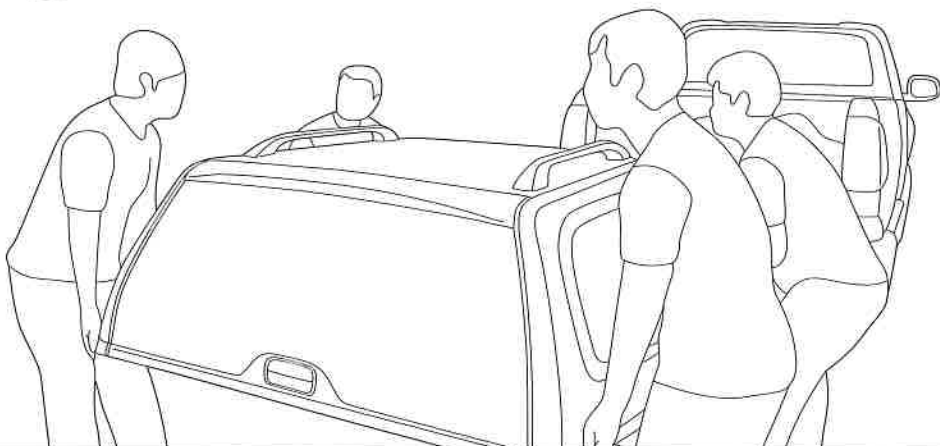
install the L-Beam cover FR after the 3M glue dry for all the 3 positions.



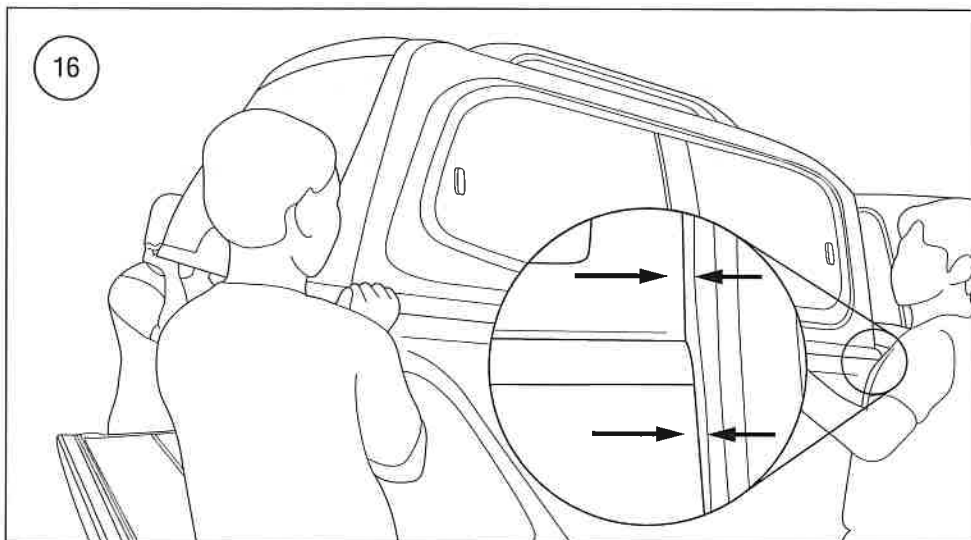
14 The process of preparing Sammitr Canopy S-Plus V2 model before install on the vehicle



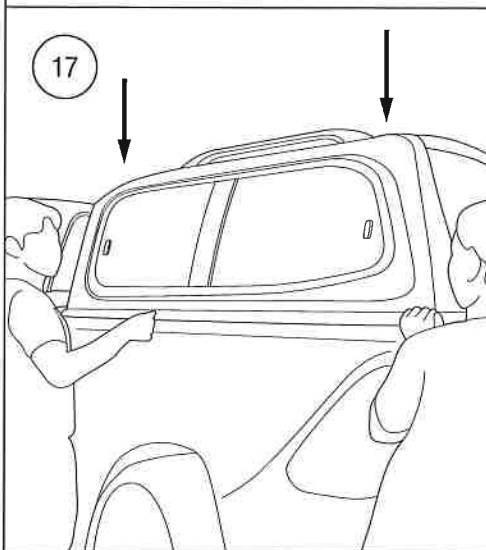
15



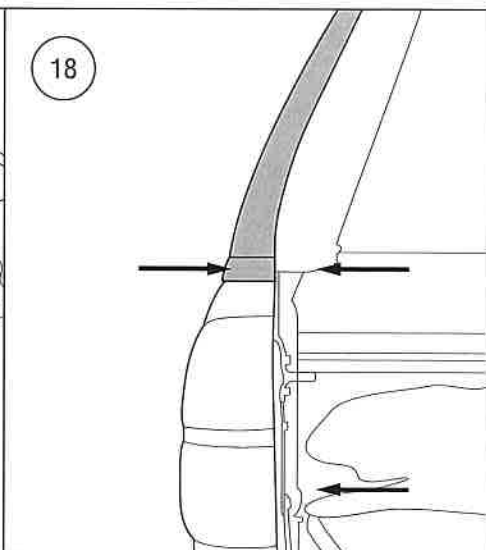
The process of lifting the canopy onto the vehicle tub using 4 people for lifting



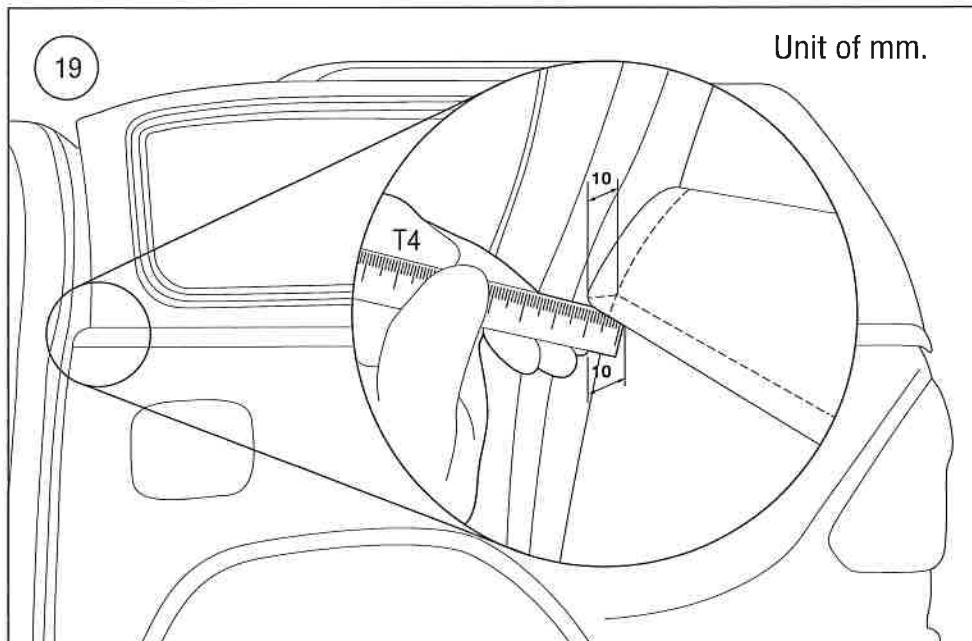
Lift canopy over the pick up truck by rising the rear higher and front part to be in the parallel with the edge of the vehicle tub.



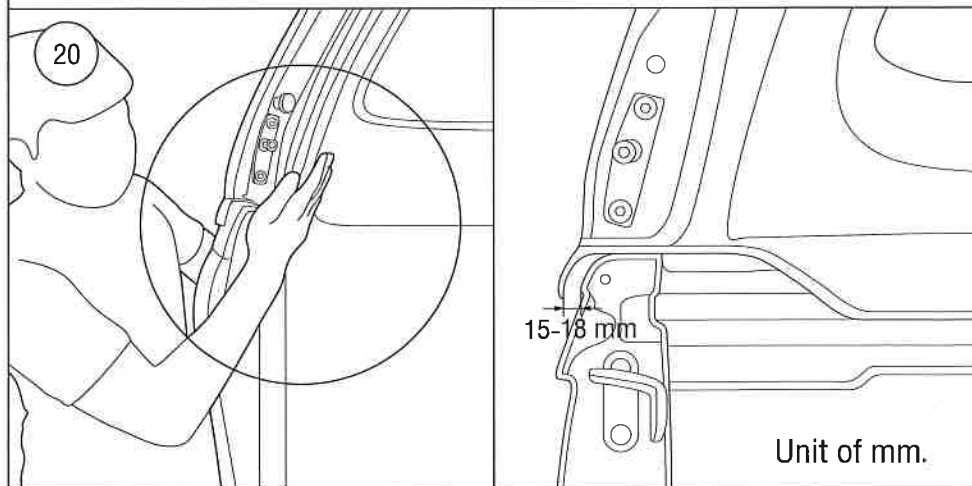
After get the distance in front part and then put the rear part to cover the vehicle tub



Make sure the the distance between canopy edge and vehicle rear tub are equivalent both left and right sides.



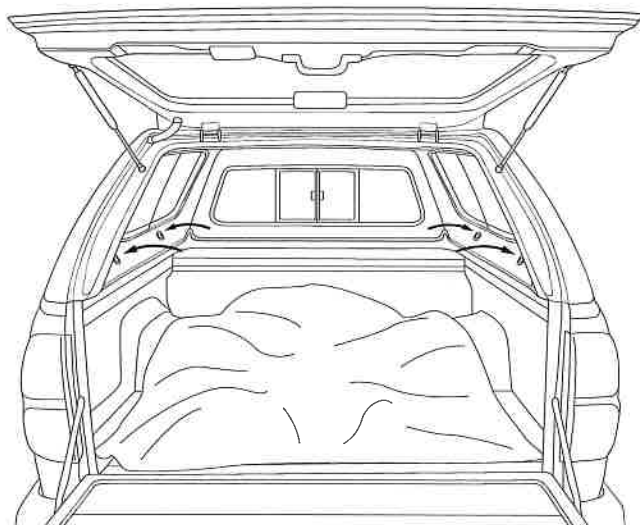
Measure the distance between canopy coverrail and the vehicle, to have the 10-13 mm distance in overall





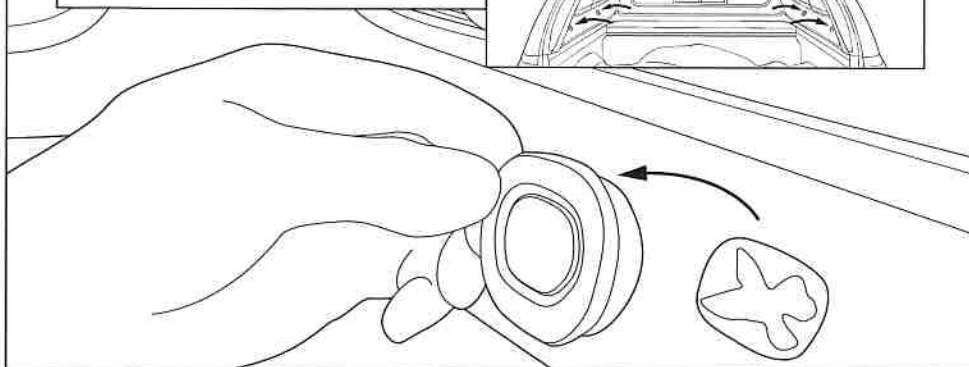
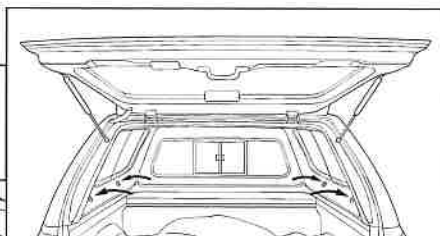
21

The process of C-Clamp installation  
S-Plus V2 canopy model with the vehicle

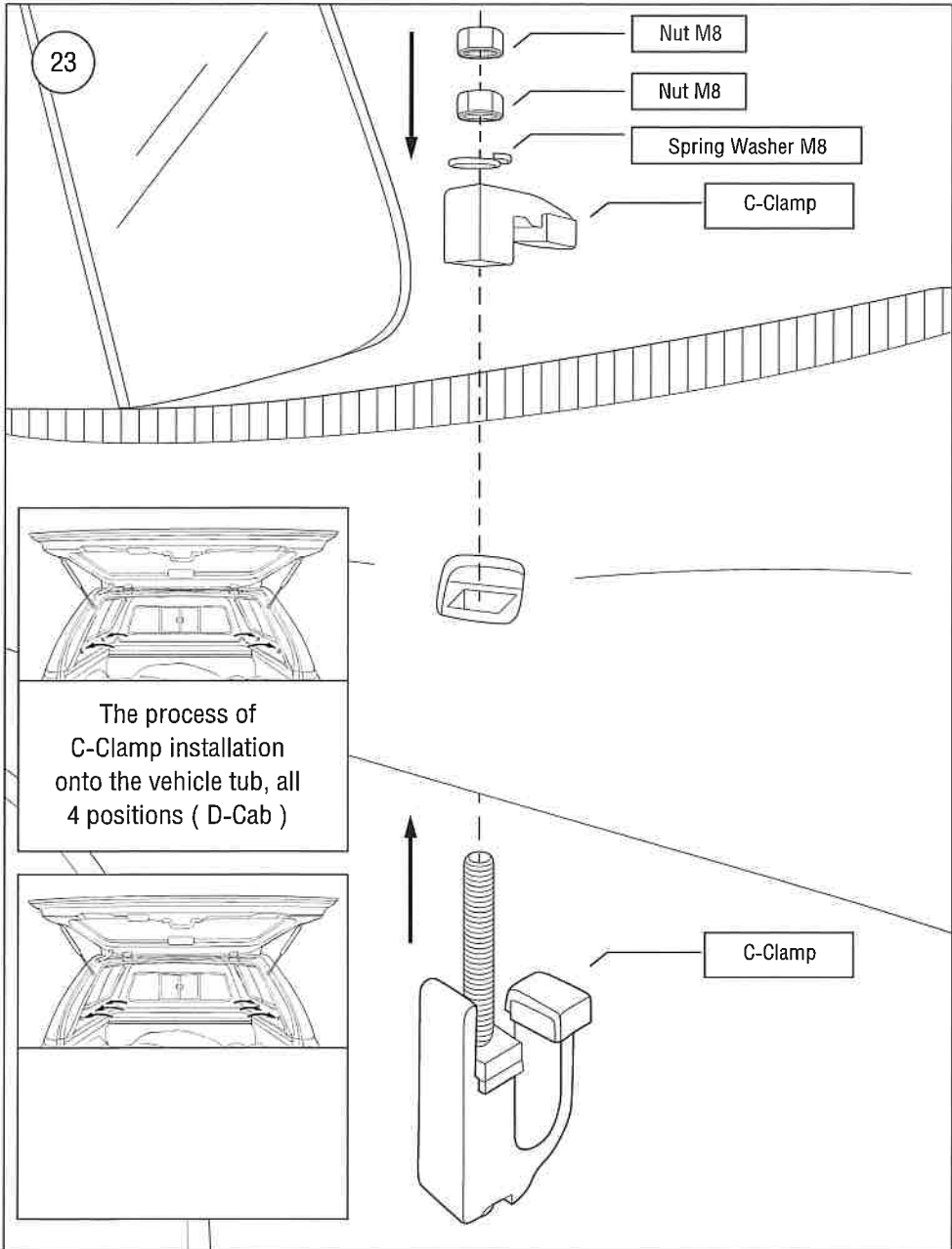


22

Open / take off the rubber plug



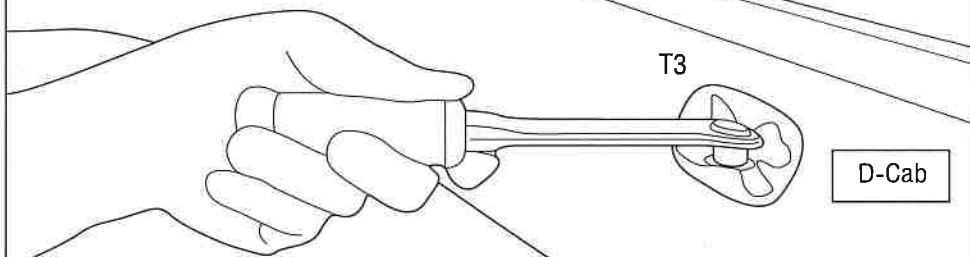
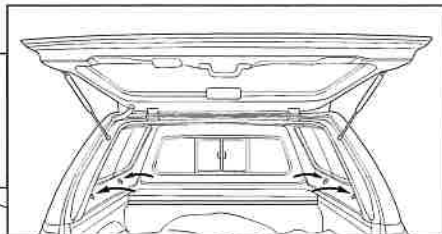






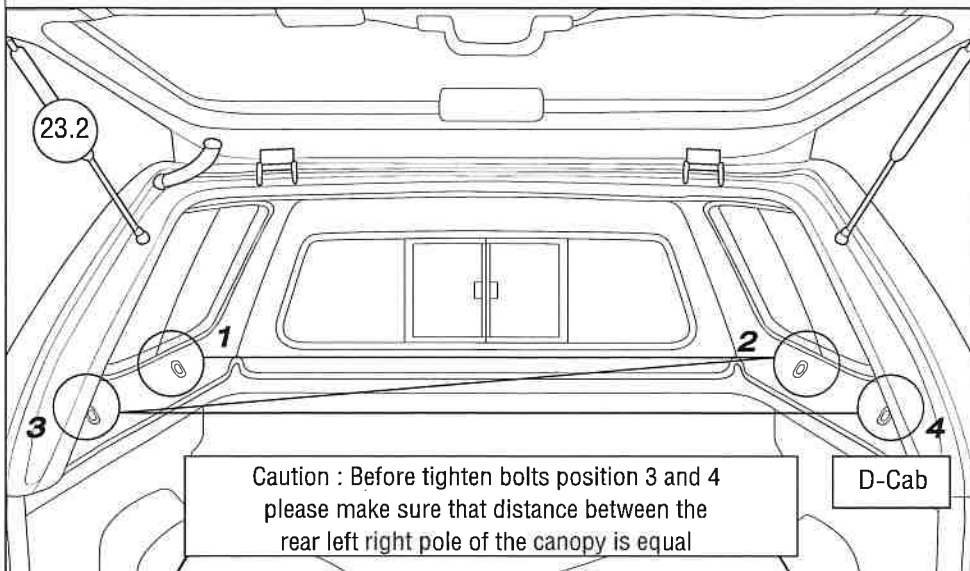
23.1

Tighten bolts of C-Clamp by using pound wrench, with the pressure of 16 Nm.



Tighten bolts of C-Clamp both with vehicle all 4 position

23.2

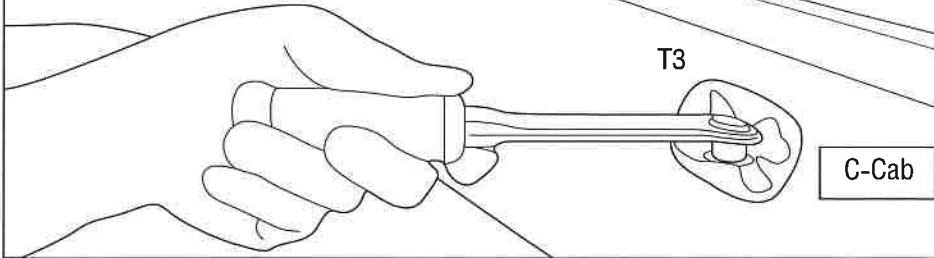
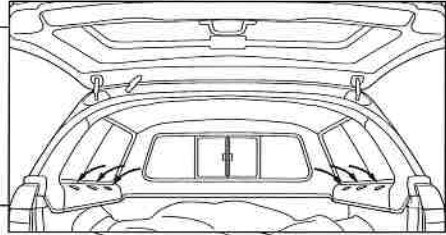


Steps of canopy C-Clamp bolts tightening onto vehicle



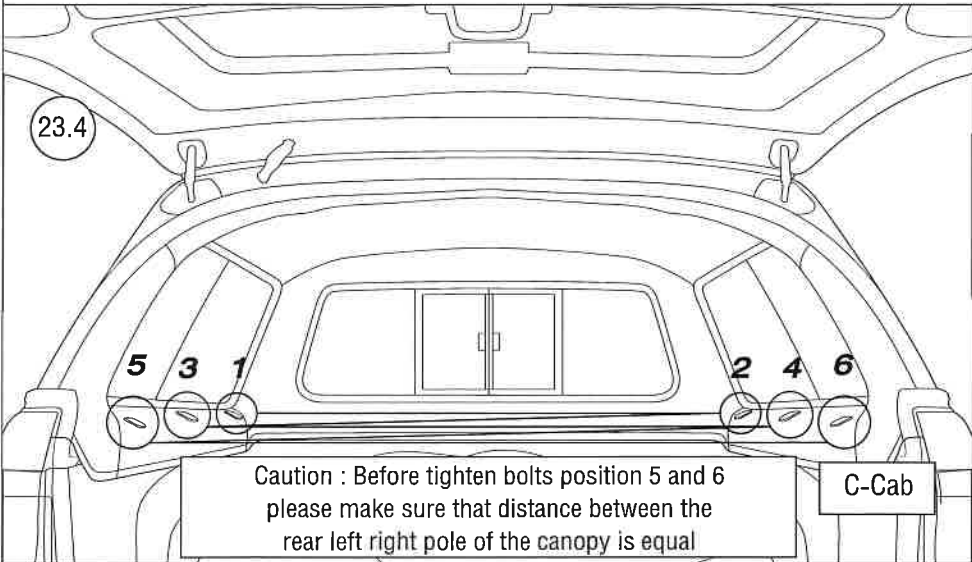
23.3

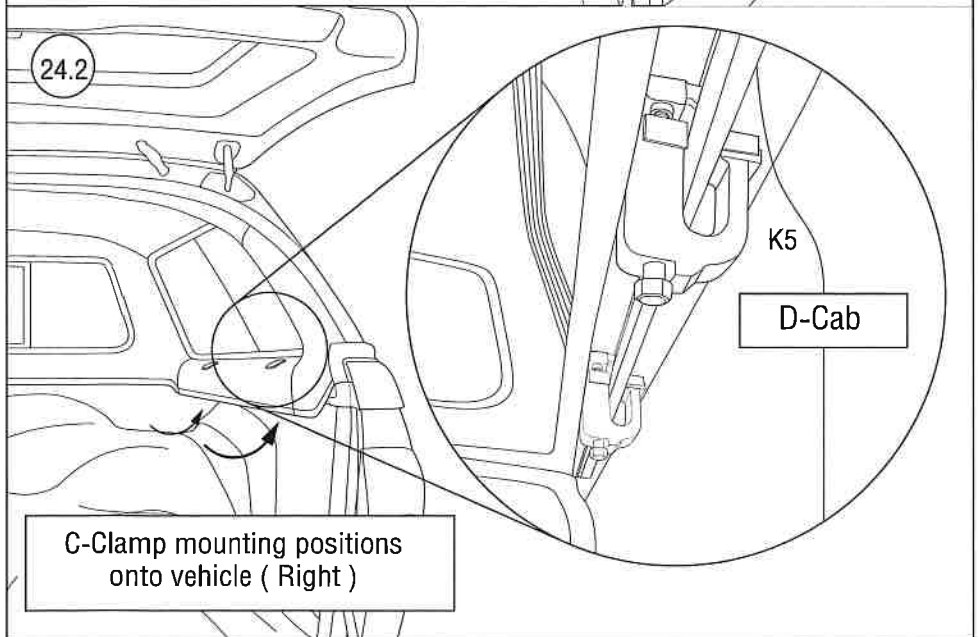
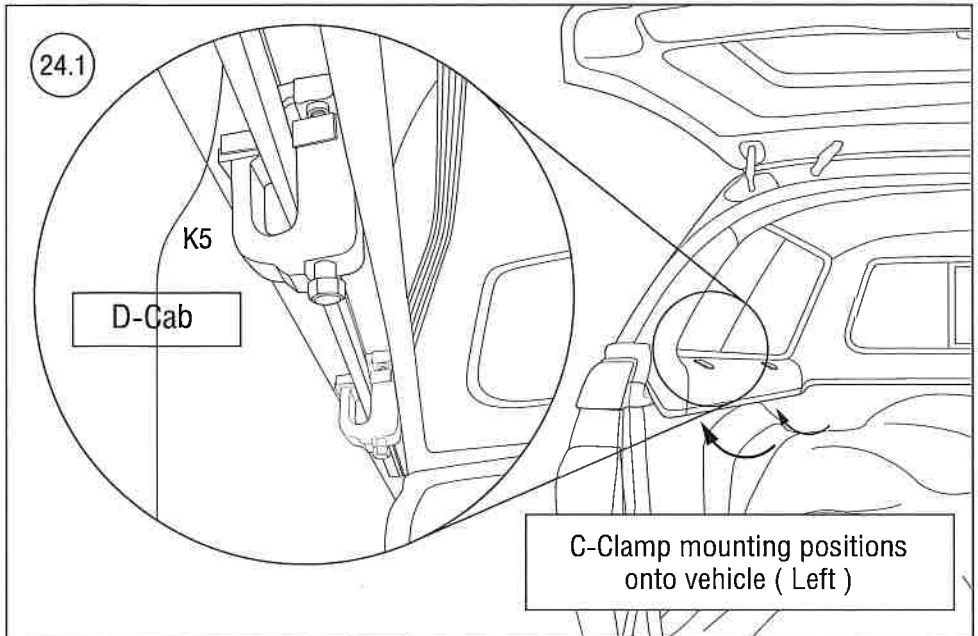
Tighten bolts of C-Clamp by using pound wrench, with the pressure of 16 Nm.

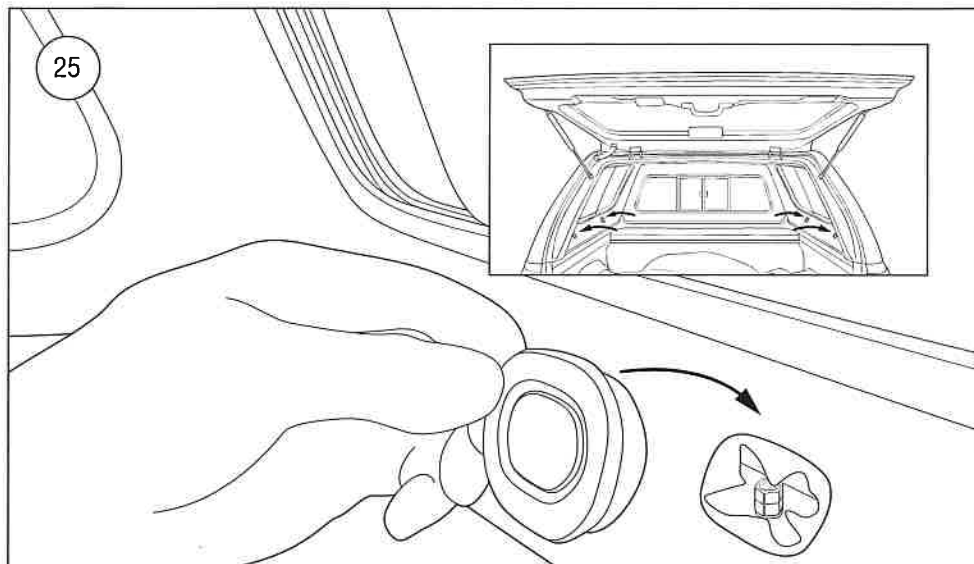


Tighten bolts of C-Clamp both with vehicle all 6 position

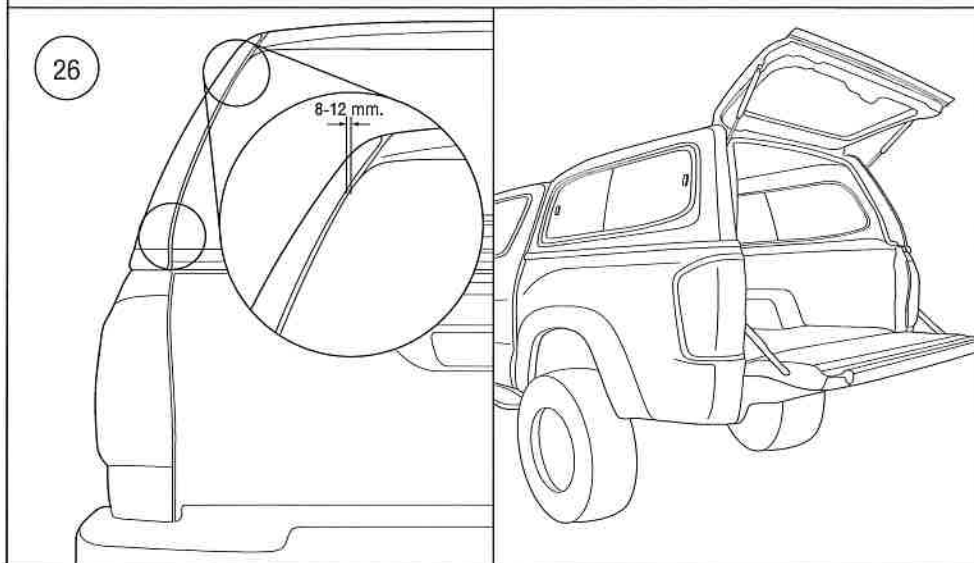
23.4







Close the rubber plug



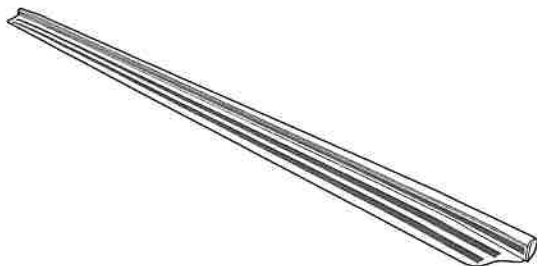
Measure the distance between backdoor and rear pillar, to have the 8-12 mm. in along the line.

The process of canopy installation is completed

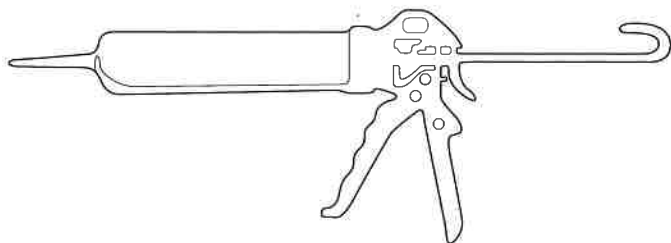


**SAMMITR**

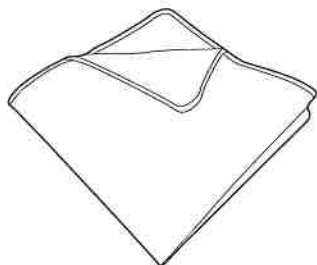
# **Frame Weather Strip Installation Manual**



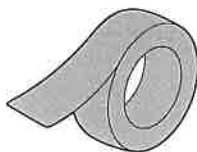
Tailgate Lip Weather Strip



Silicone Glue Gun



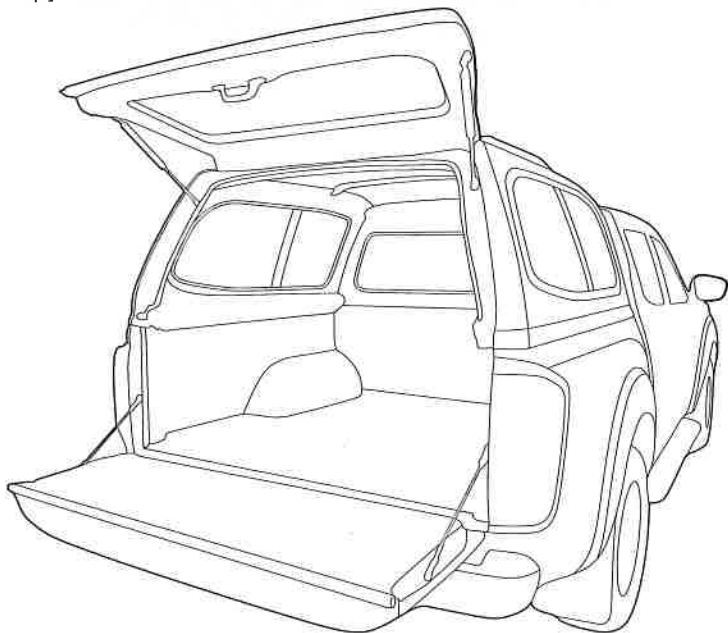
Cloth



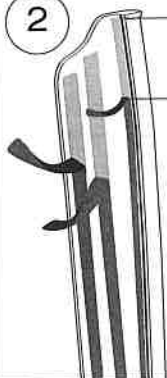
Masking Tape



1 Canopy can be installed on vehicle with or without tub liner.

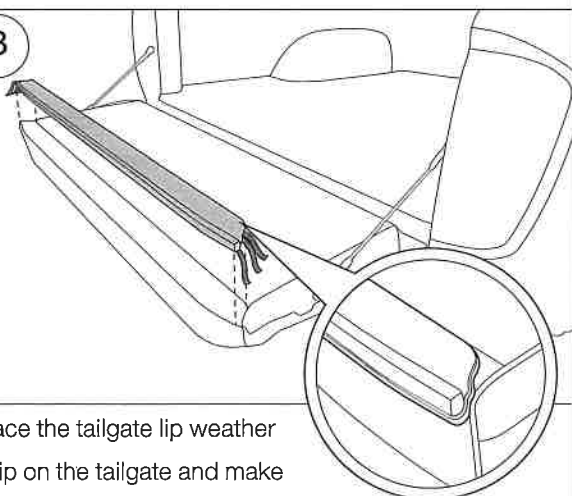


2 5 CM.



Peel off the adhesive lining from the tailgate lip weather strip by about 5 cm.

3



Place the tailgate lip weather strip on the tailgate and make adjustments such that the ends are spaced equally apart

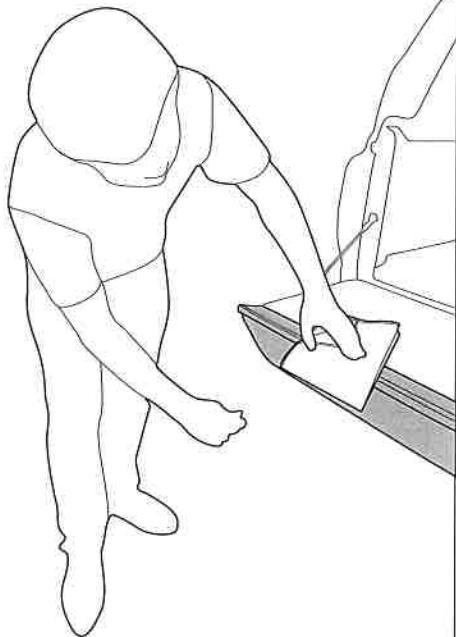




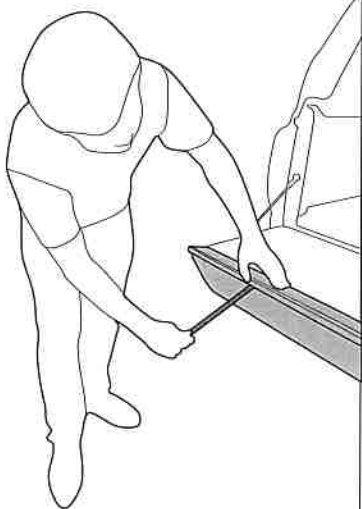
4



6

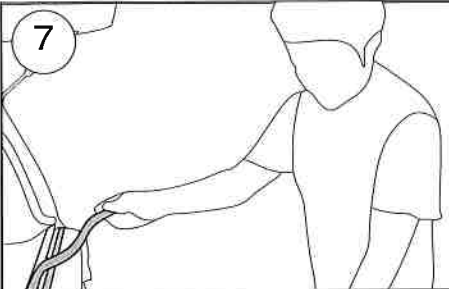


5

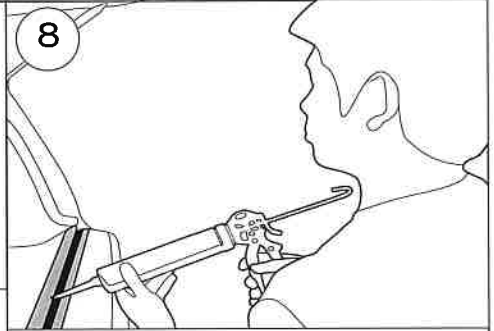


Use the cloth to apply pressure to the Weather Strip for adhering the strip to the tailgate and also to smooth out any unevenness.

Remove the rest of the adhesive lining.





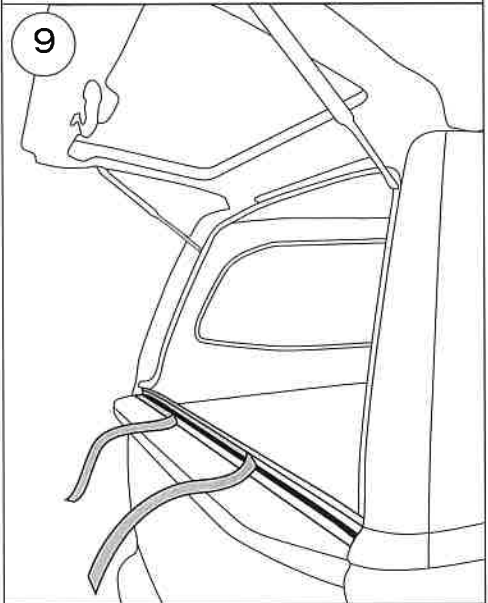
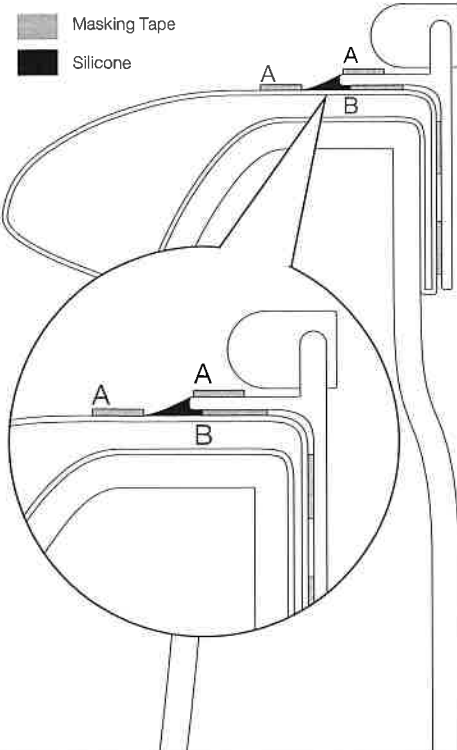
7 Apply the masking tape at A as per figure inset, that extends along the full length of the tailgate.



8 Use the glue gun to apply the silicone glue at B along the tailgate as per figure inset. Use a rubber to smooth out the glue for a continuous seam.

7a Figure inset : Typical section view of the tailgate.

-  Masking Tape
-  Silicone

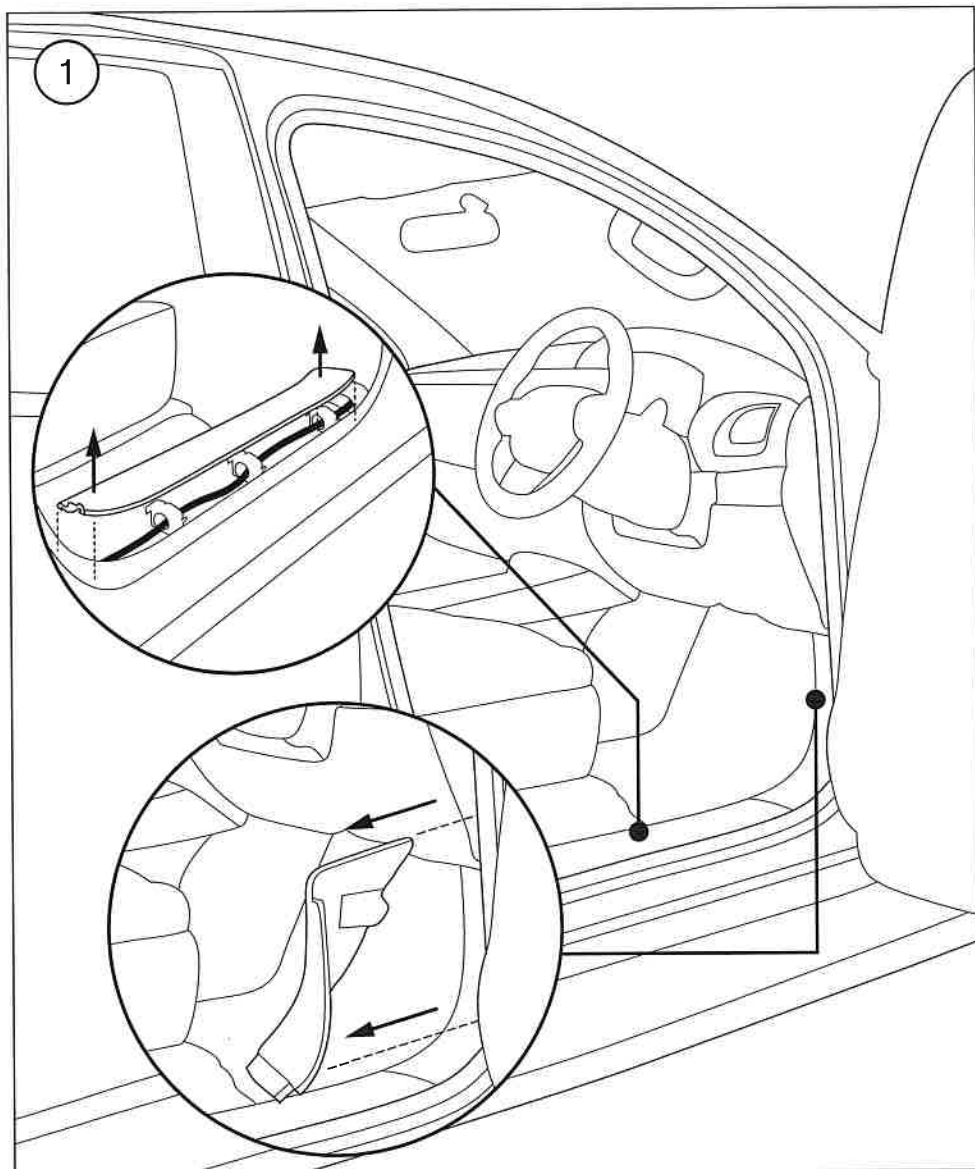


9 Remove the masking tape after the silicone glue has been applied.

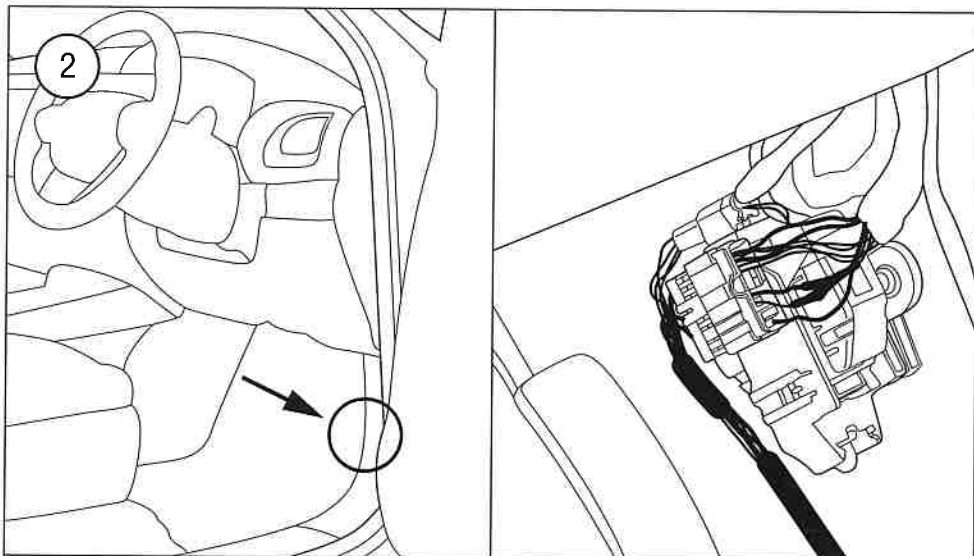


**SAMMITR**

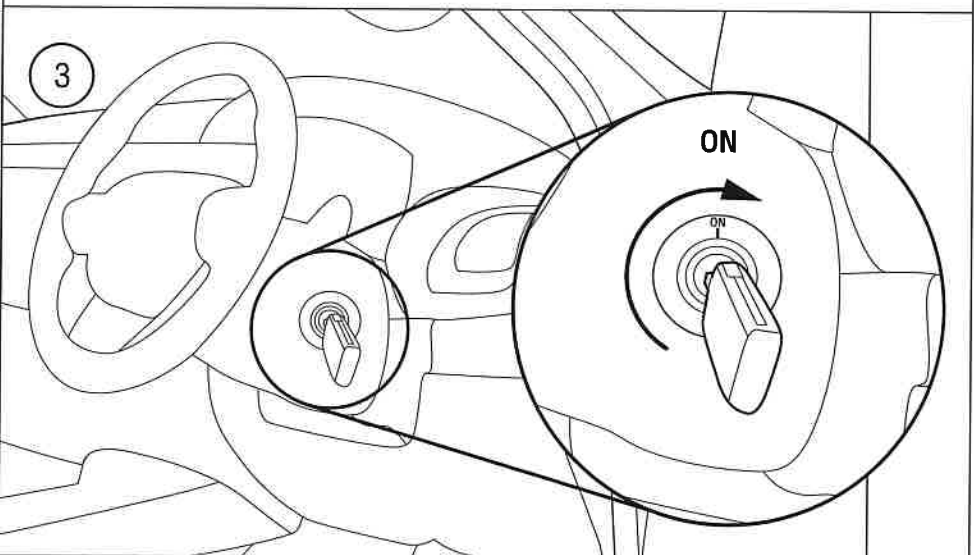
# **Electrical Installation**



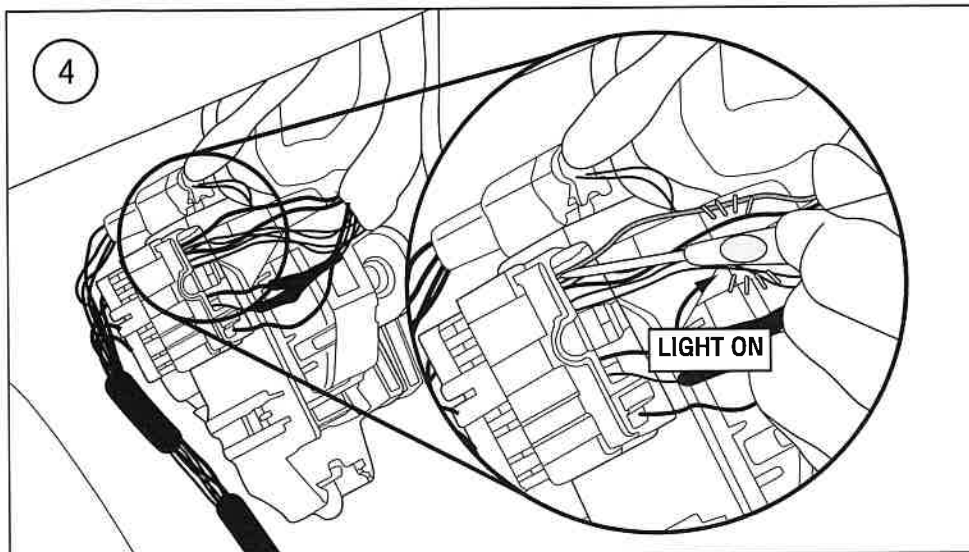
Take off the Wiring Cover at the driver side in order to check the wiring position.



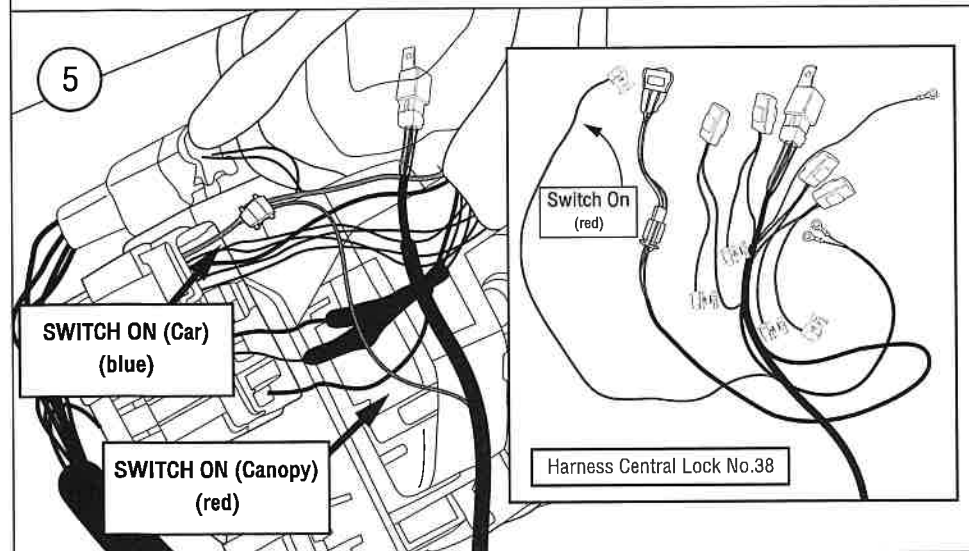
Control Box position that will connect with Harness Central Lock No.38



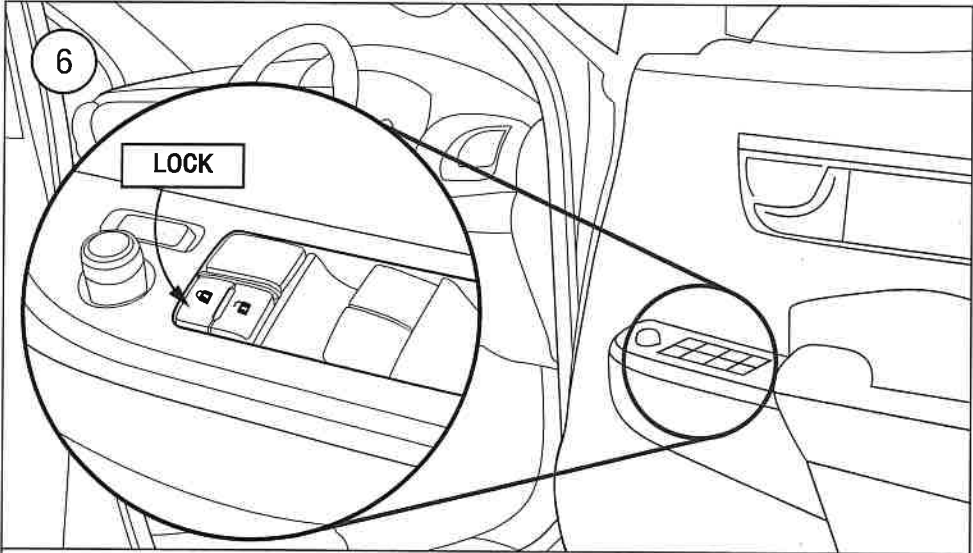
Step of checking Switch on position, begin with turning the key to ON position.



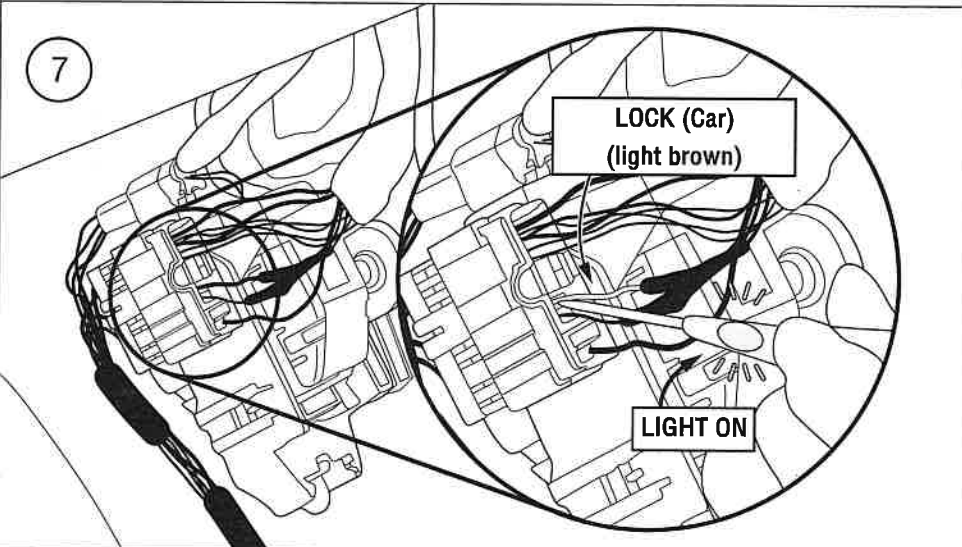
Checking the Switch On of vehicle position by using the Test Lamp kit.



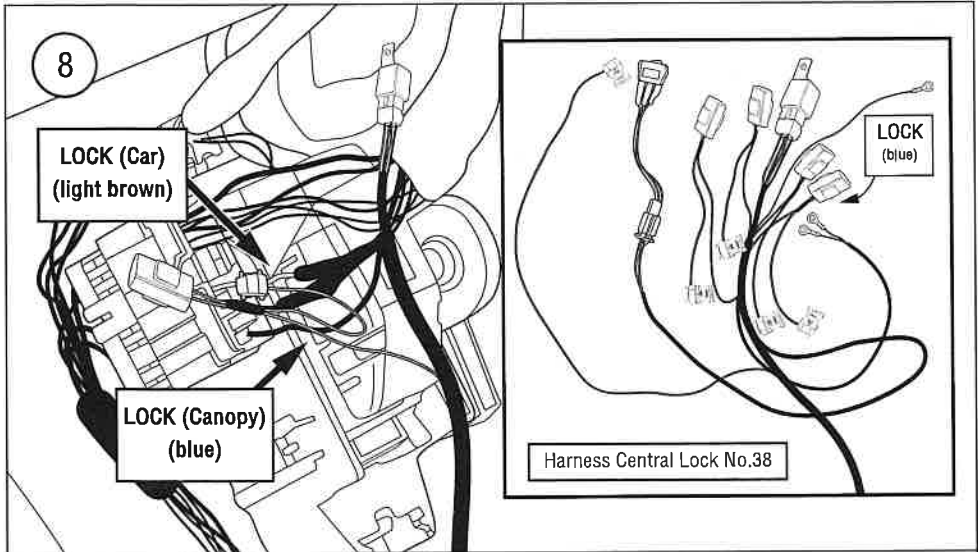
Connect the Harness Central Lock No.38 with the vehicle socket by bring the Red Wiring (Switch ON) of the Harness Central Lock No.38 connects with the blue wiring (Switch ON) of the vehicle wiring.



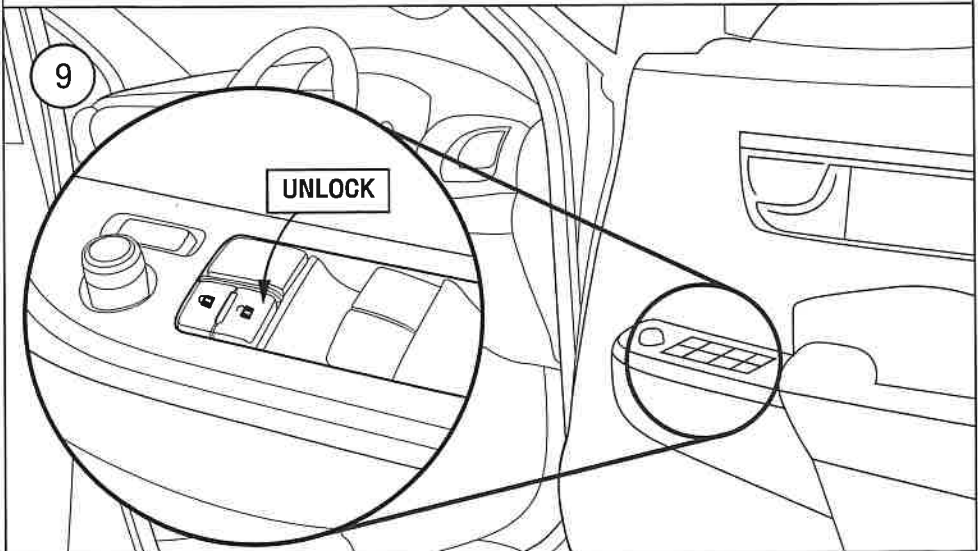
Step of Checking the light of the Central Lock (Lock), begin with push the Lock button at the door panel.



Checking the light of the Central Lock (Lock) of vehicle position by using the Test Lamp kit.

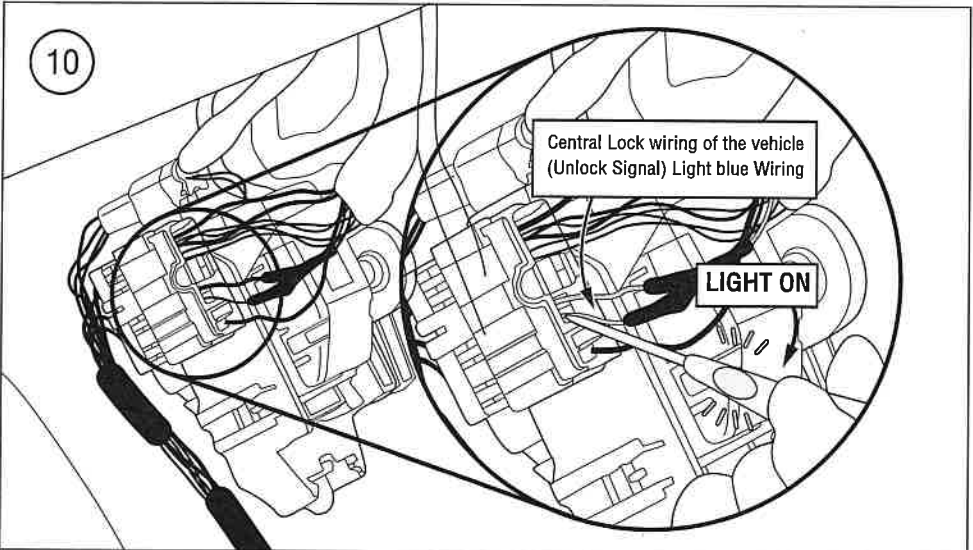


Connects the Blue Wiring (Central Lock/Lock Switch) of the Harness Central Lock No.38 with the Light Brown wiring of the vehicle (Lock Signal)

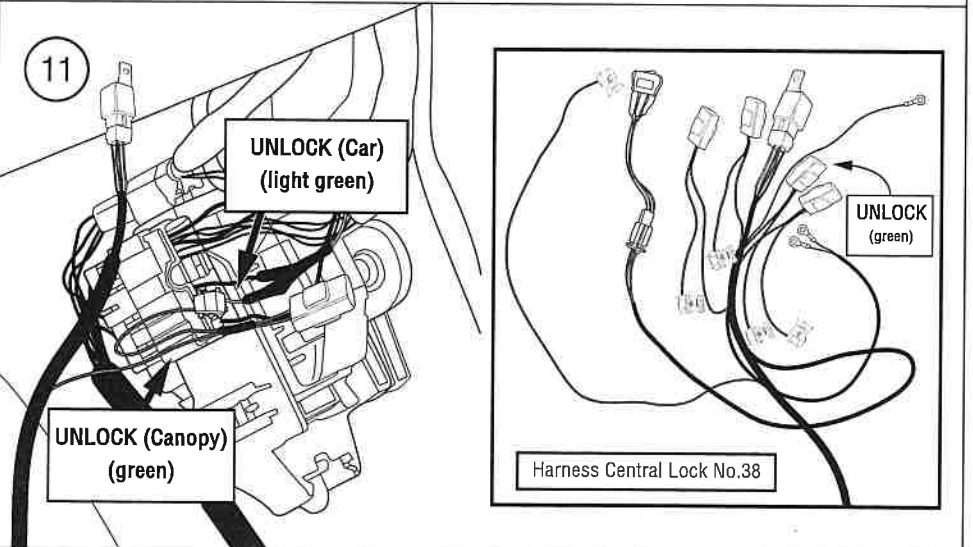


Step of Checking the light of the Central Lock (UnLock), begin with push the UnLock button at the door panel.

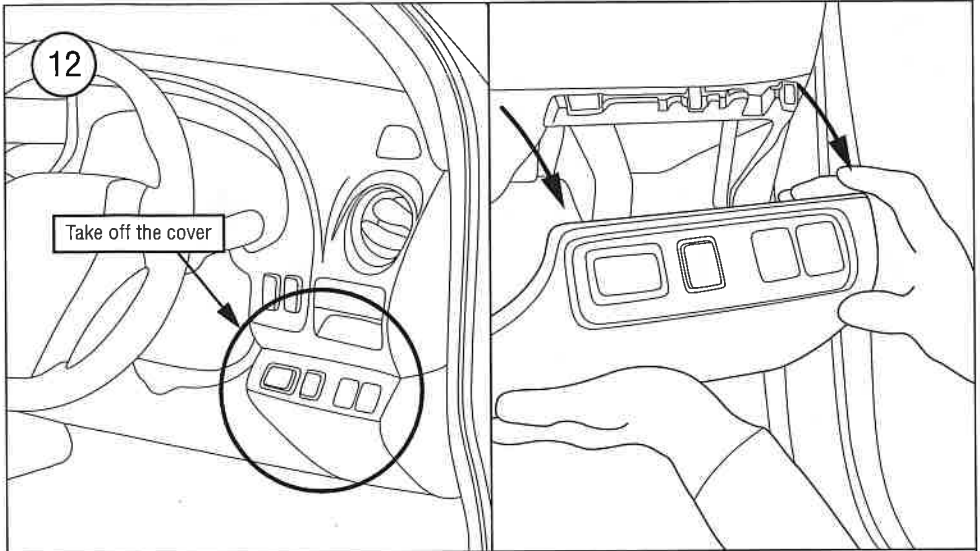




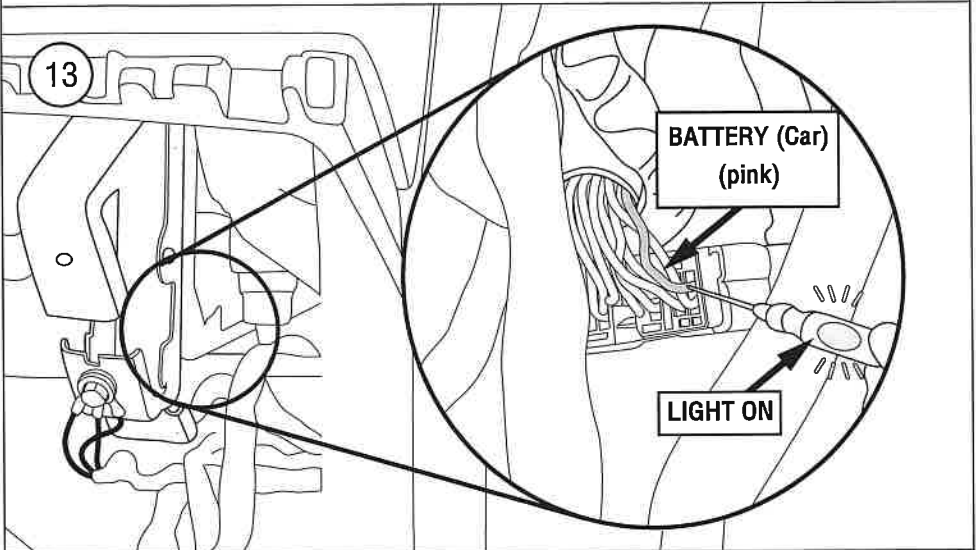
Checking the light of the Central Lock (Lock) of vehicle position by using the Test Lamp kit.



Connects the Green Wiring (Central Lock/Unlock Switch) of the Harness Central Lock No.38 with the Light Green Wiring (LG) of the vehicle (Unlock Signal).



Take off the cover in order to check Battery (12VDC) position of vehicle and Connect Ground wiring.

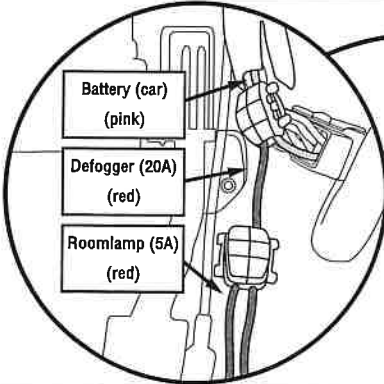
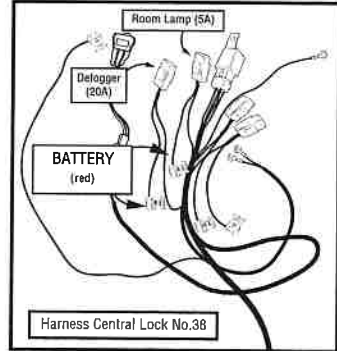


Step of Checking the Battery (12VDC) wiring of vehicle position by using Test Lamp kit.



14

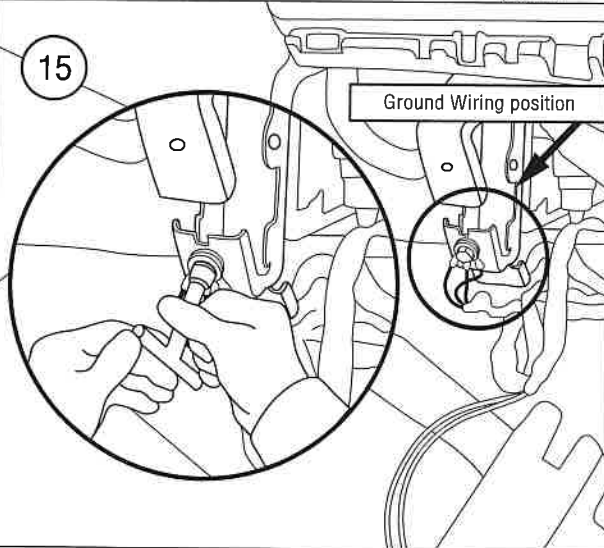
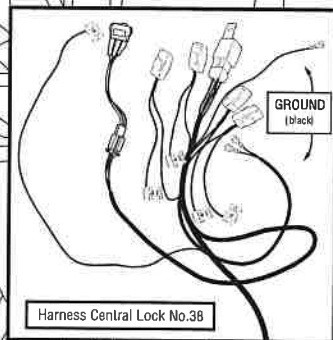
Defogger/Roomlamp position of the Harness Central Lock No.38 that will connect with Battery Wiring of the vehicle.



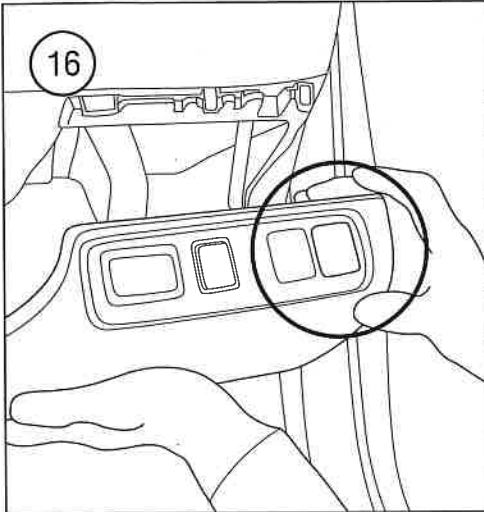
Connects the Red Wiring Defogger (20A) of the Harness Central Lock No.38 with the Pink Wiring Battery (12VDC) of the vehicle and Connect the Red Wiring Room Lamp (5A) with the Red Wiring Defogger (20A) as shown in picture.

15

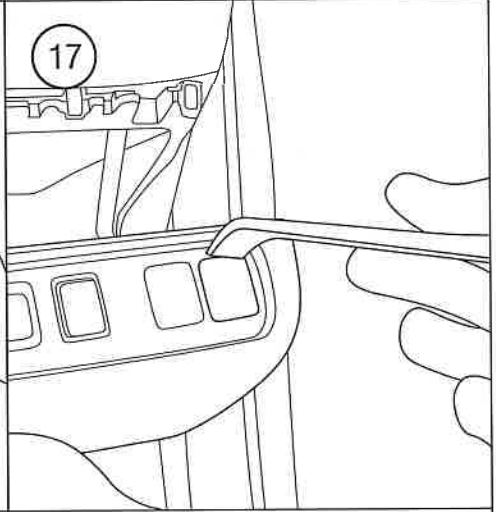
Ground Wiring position



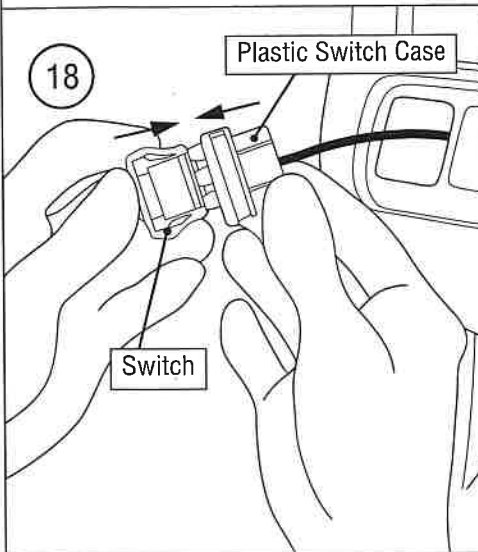
Connects the Black Wiring (GROUND) of the Harness Central Lock No.38 with the vehicle structure, tighten the screws properly.



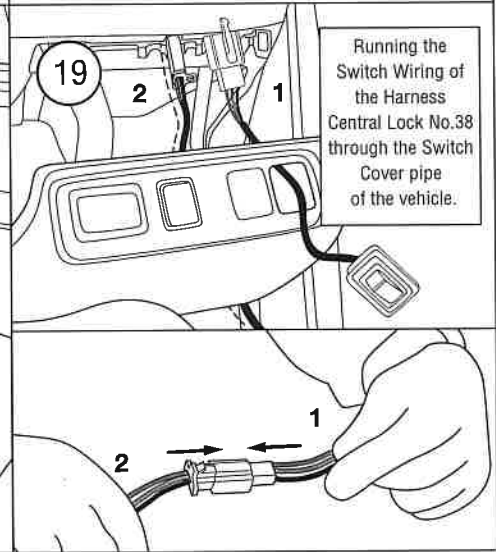
Take off the vehicle switch cover position.



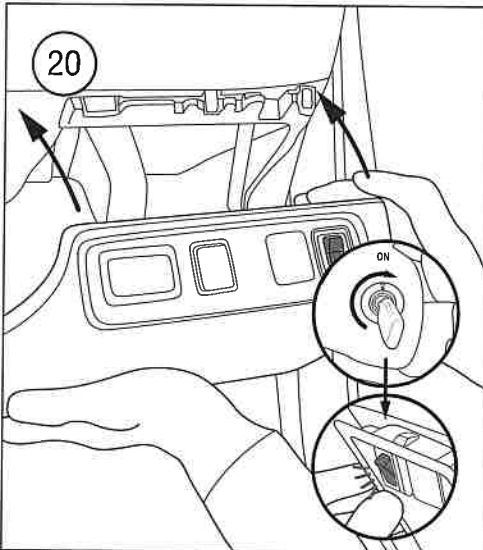
Take off the vehicle switch cover by using plastic tools.



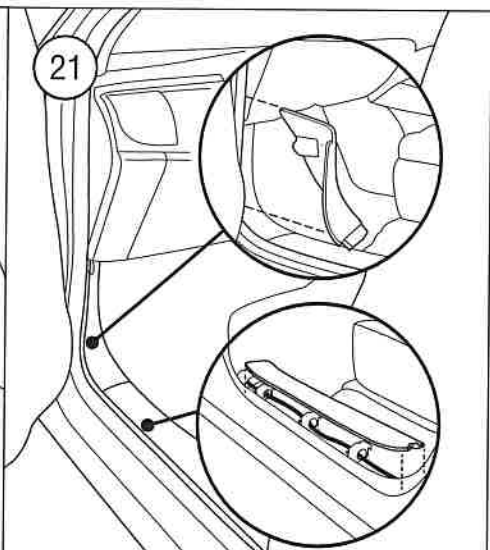
Assemble the Switch Cover with the Harness Central Lock No.38 Wiring Switch.



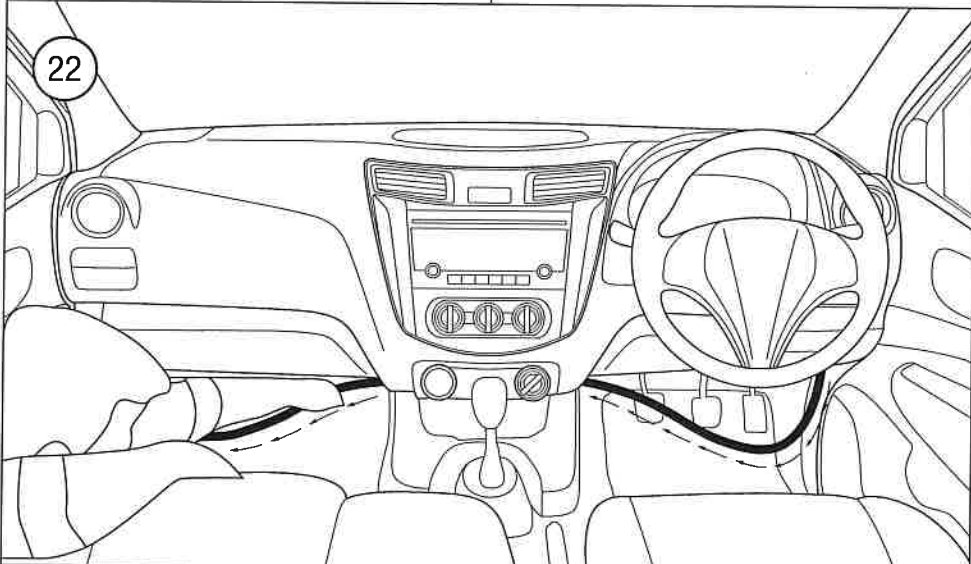
Connects between the 1 wiring and the 2 wiring.



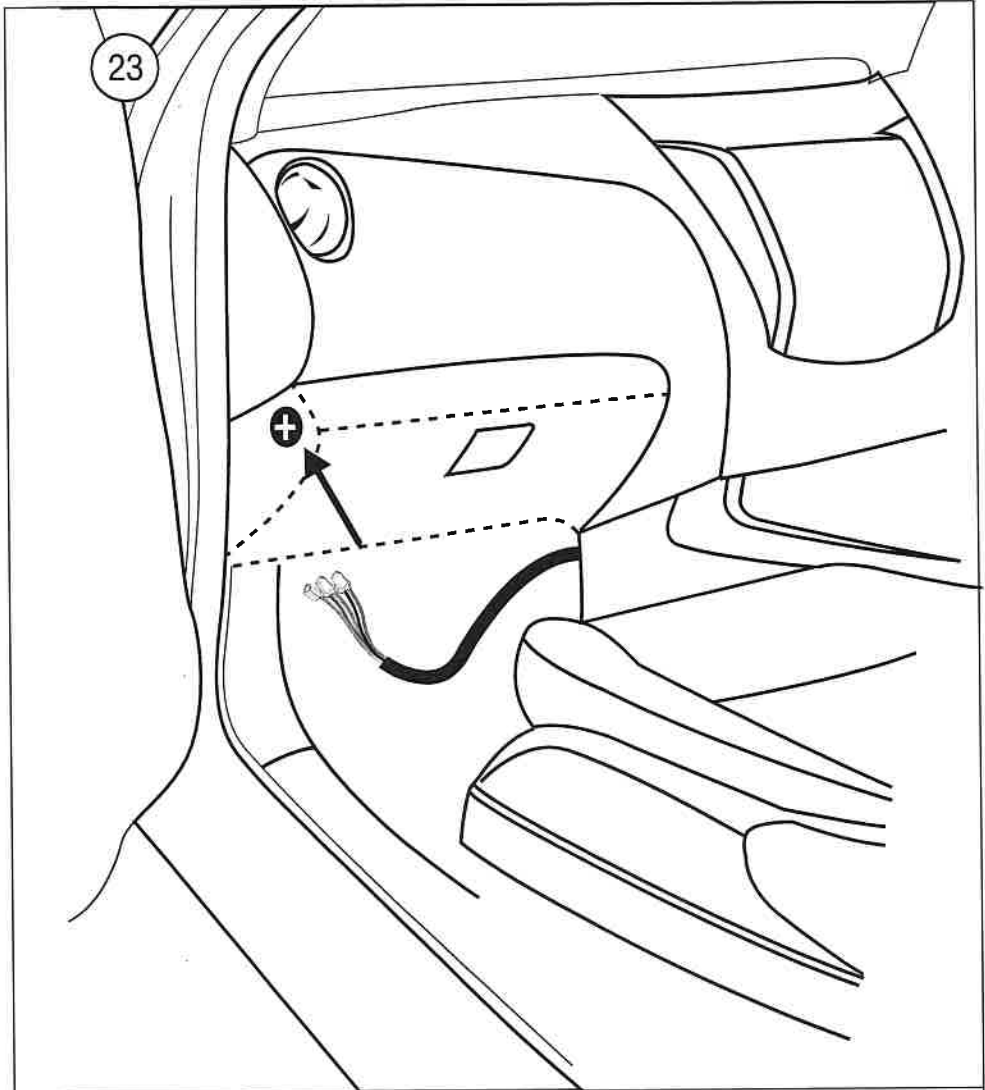
20  
Close the cover. After that, check the working process by turn on and push the switch. The light must be on.



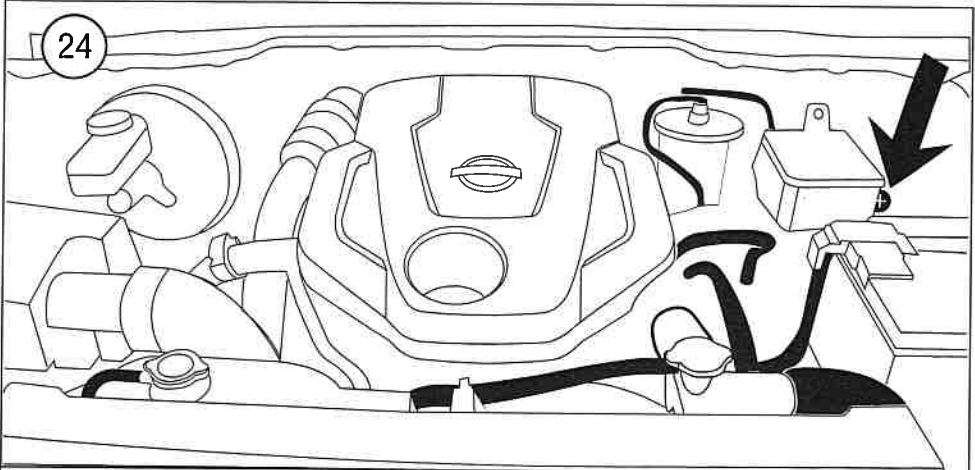
21  
Take off the vehicle wiring cover of the passenger side in order to run the wiring from the driver side through the passenger side.



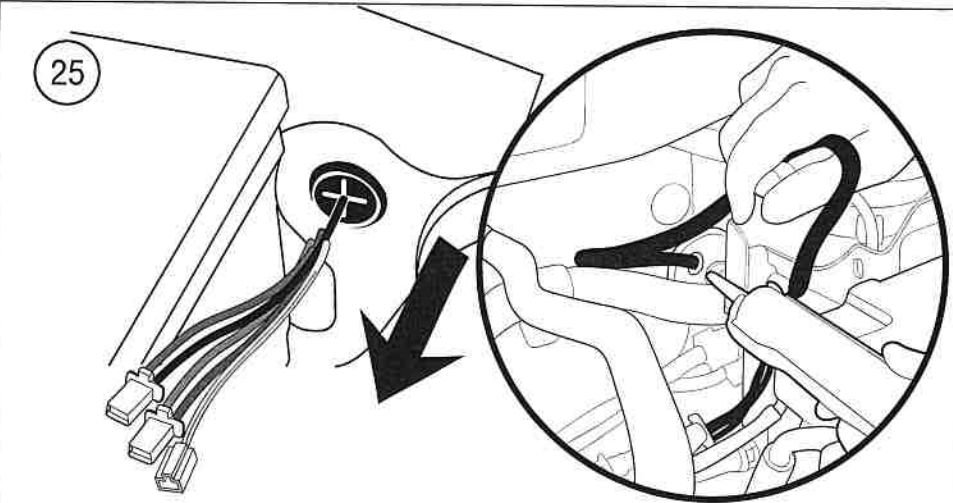
22  
Running the wiring from the driver side through the passenger side as shown in picture.



Run the Harness Central Lock No.38 wiring at passenger position



The Step of Harness Central Lock No.38 wiring running picture for the Nissan Navara 2021



Silicone seal the wiring hole process.



26

## The Step of wiring running diagram

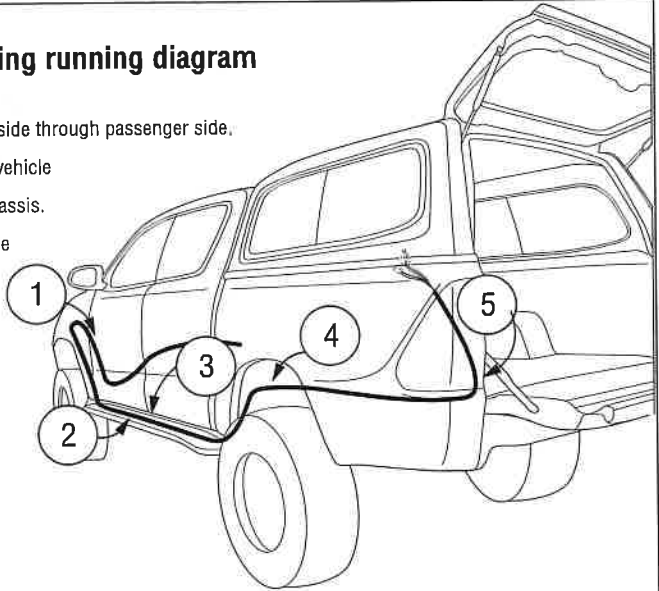
**Point 1** Wiring running from driver side through passenger side.

**Point 2** Running canopy wiring via vehicle wiring hole/pipe along under the chassis.

**Point 3** Wiring that run under vehicle along the chassis.

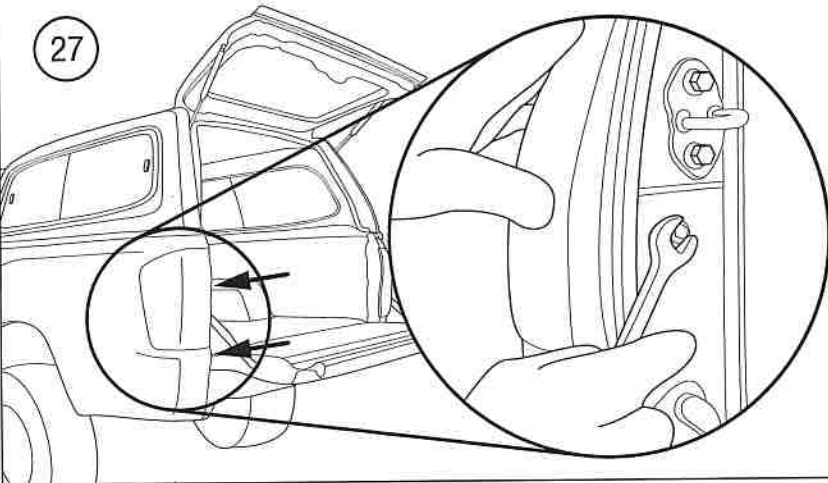
**Point 4** Wiring that run via chassis at the fender area.

**Point 5** Wiring that running up the rear light in order to connect with the other wiring set.



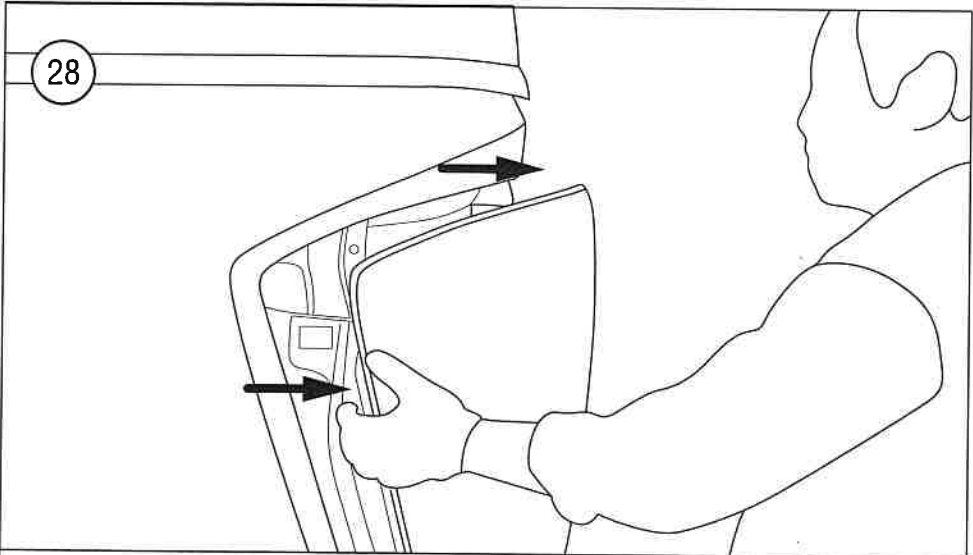
The Step of wiring running diagram for the Harness Central Lock No.38

27

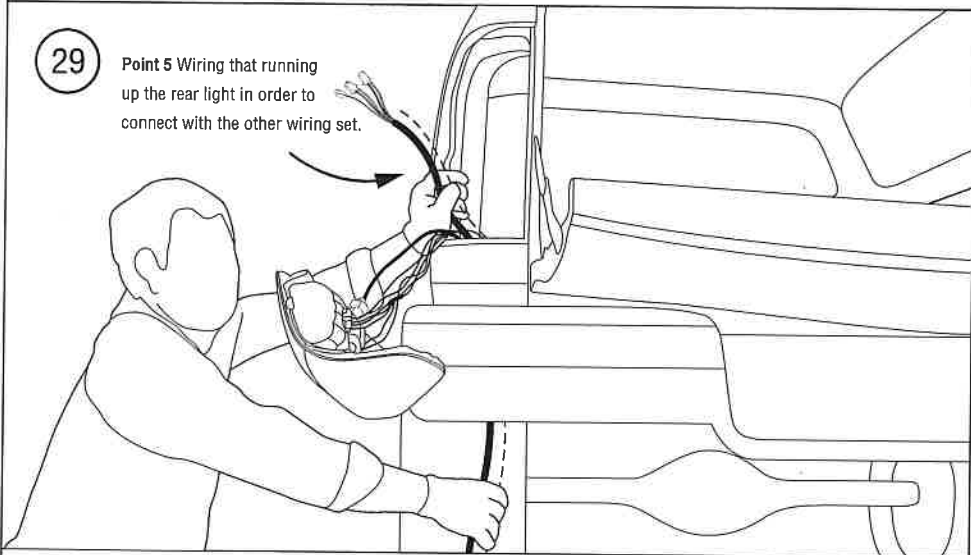


Take off the Rear Light by using wrench No.10

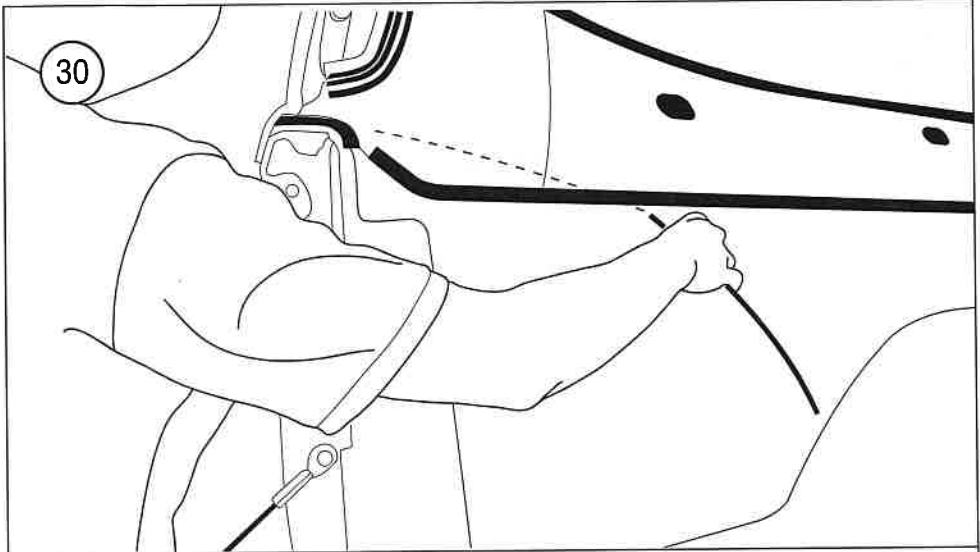




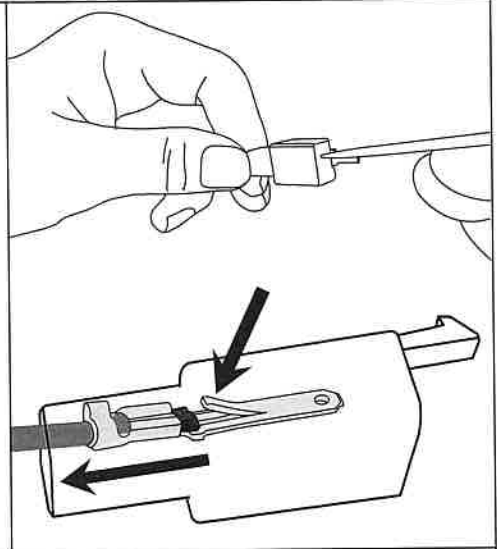
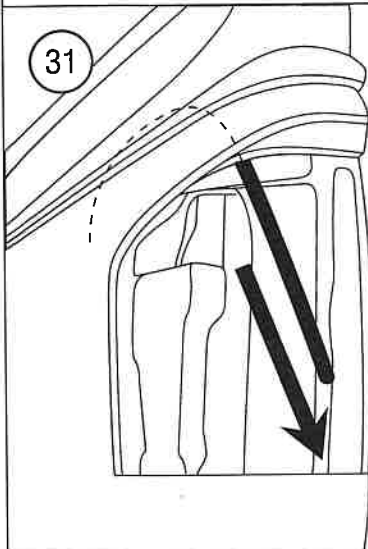
Take off the Rear Light vehicle.



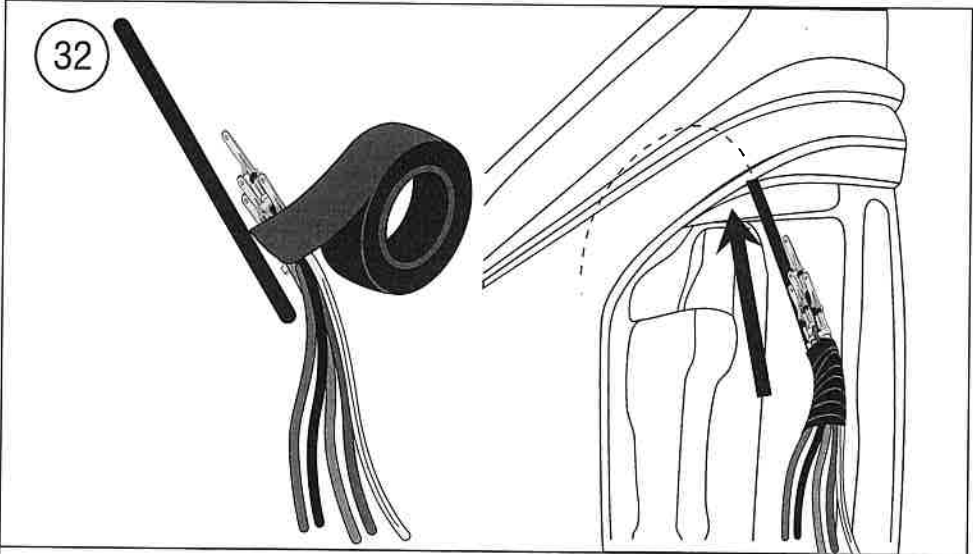
Running the Harness Central Lock No.38 up to the vehicle rear light in order to connects with the Harness Central Lock No.32.



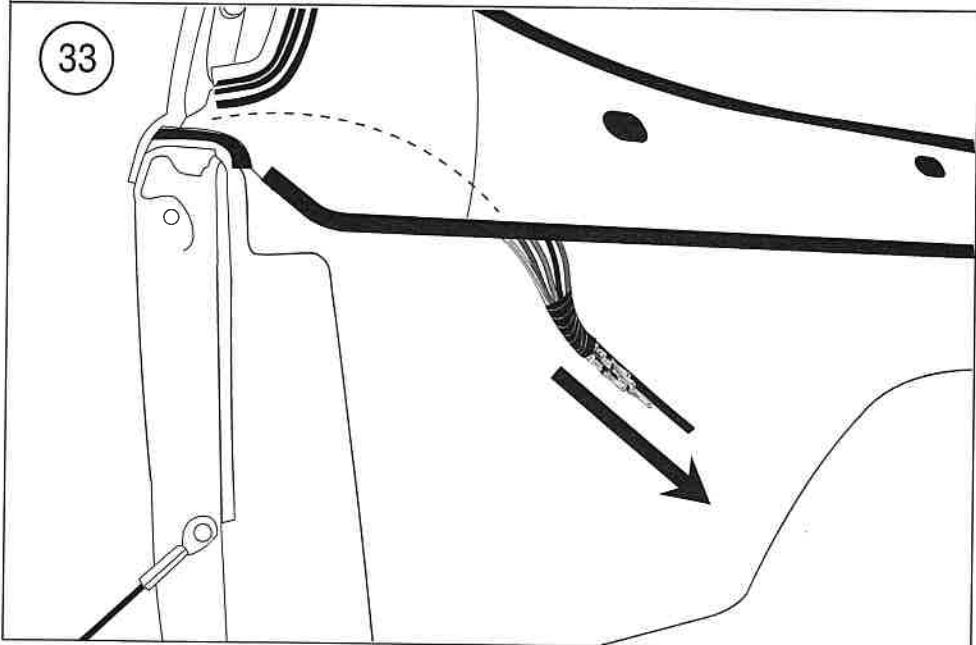
Run the rod along the vehicle edge till the Rear vehicle light.



Push to remove all the pins of Harness Central Lock No.38

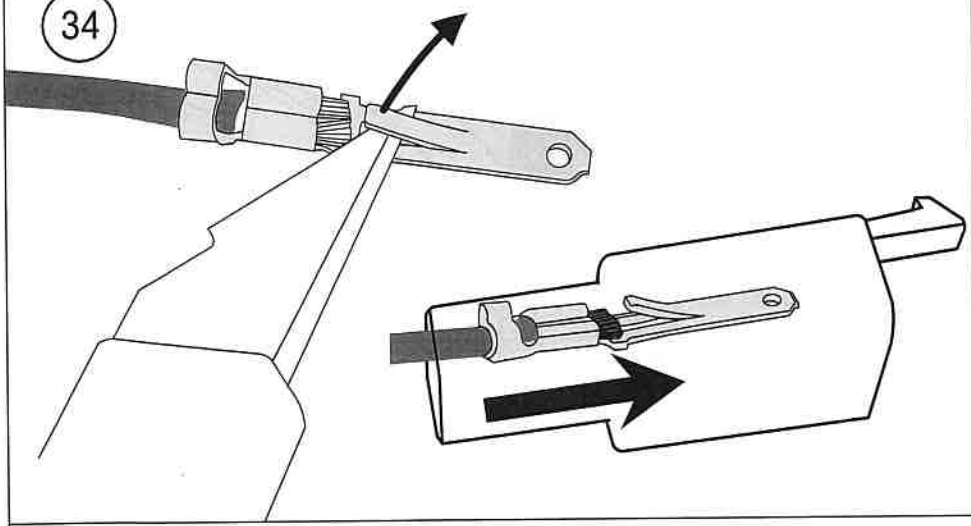


Tight all the wiring together with the rod and pull back to the tub.



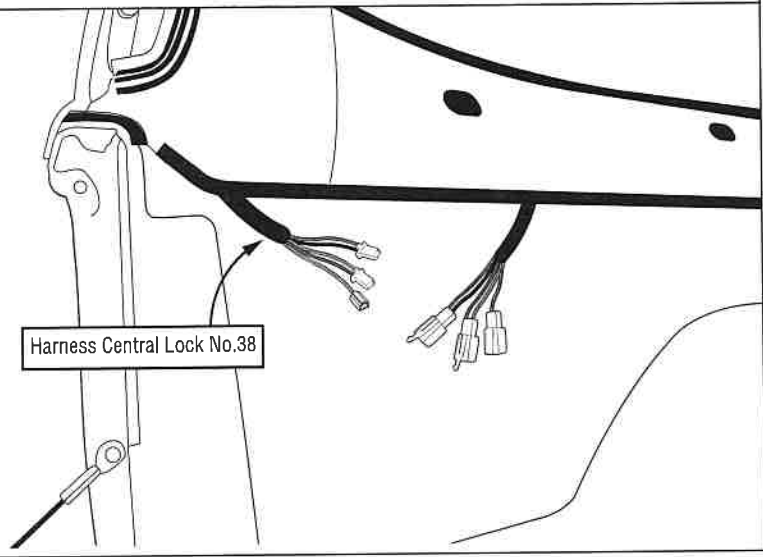


34

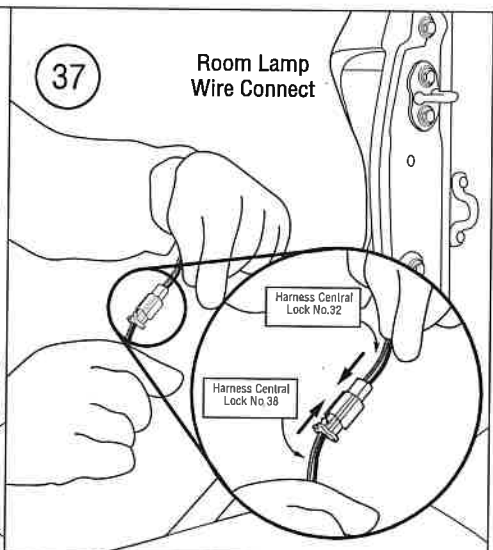
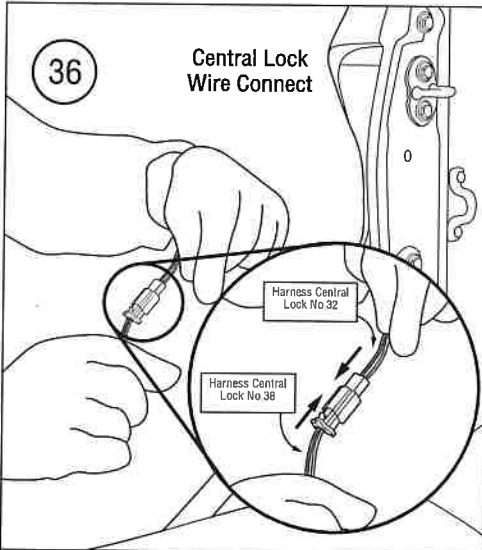


Adding the Pin Plug of Harness Central Lock No.38 by pull the pin in order to lock them

35

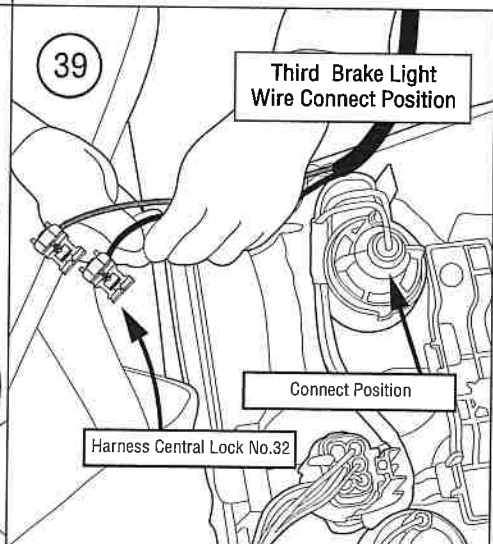
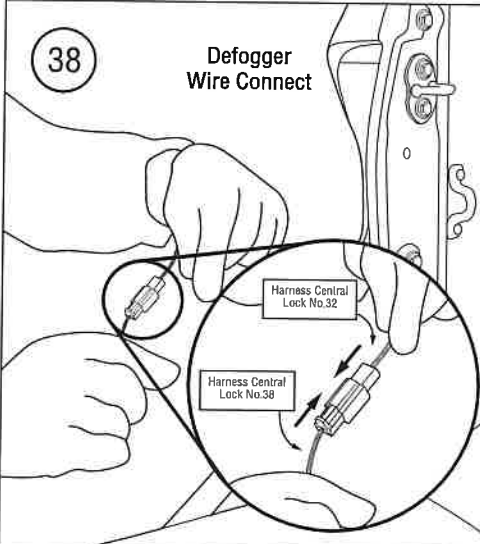


Re-assembly Harness Central Lock No.38 of all positions back to the spots.



The process of connecting the Central Lock (BL,DG) wiring of the Harness Central Lock No.32 with the Central Lock (BL,DG) wiring of the Harness Central Lock No.38.

The process of connecting the Room Lamp (RD,BK) wiring of the Harness Central Lock No.32 with the Room Lam (RD,BK) wiring of the Harness Central Lock No.38.



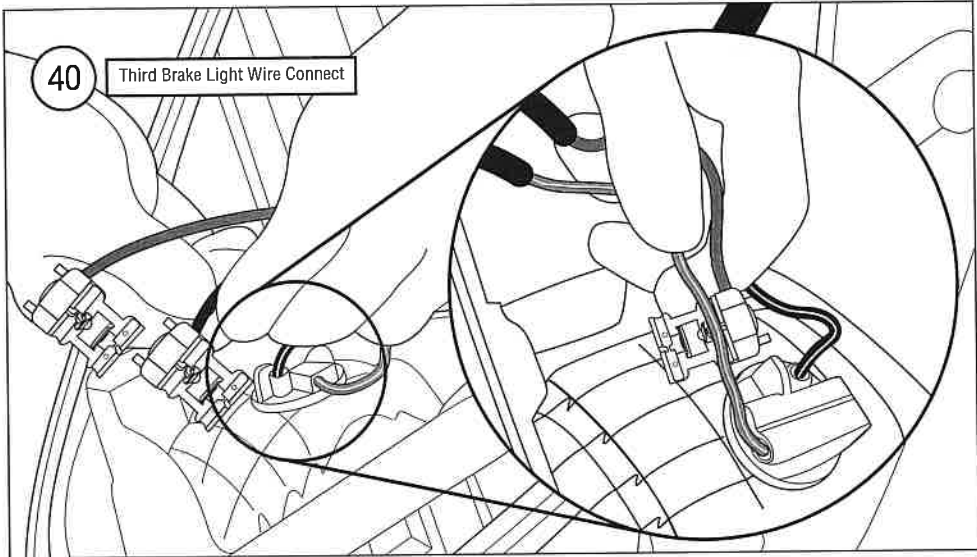
The step of connecting the Defogger (YL/RD) wiring of the Harness Central Lock No.32 with the Defogger (YL/RD) wiring of the Harness Central Lock No.38.

The position of connecting the Red and Black Wiring of the Third Brake Light (RD,BK) circuit of the Harness Central Lock No.32 with the vehicle rear light.



40

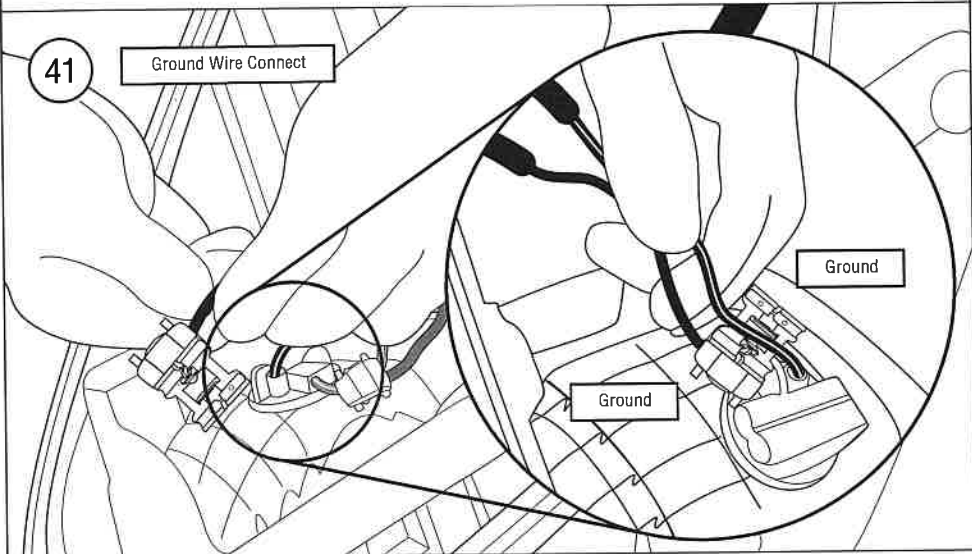
Third Brake Light Wire Connect



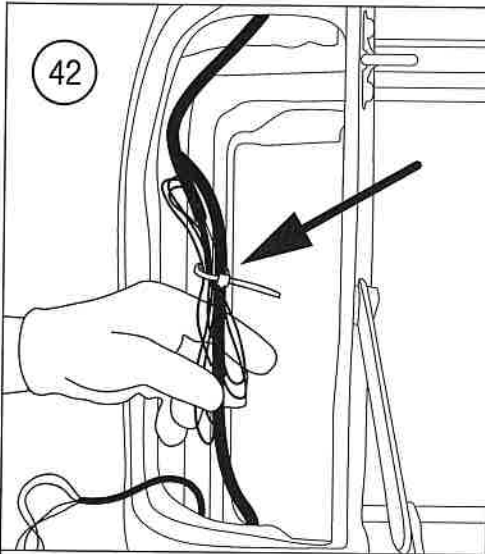
Bring the Red Wiring, Third Brake Light (RD) of the Harness Central Lock No.32 connecting with Green/White (LG/WH) Brake wiring of the vehicle rear light.

41

Ground Wire Connect

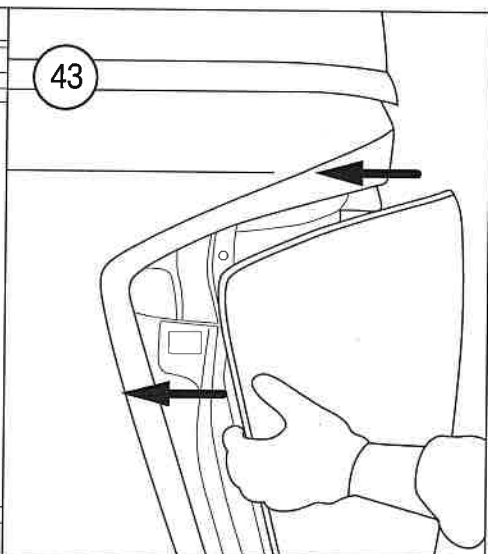


Bring the Black Wiring, GROUND (BK) of the Harness Central Lock No.32 connecting with the Black/White (BK/WH) Ground wiring of the vehicle rear light.



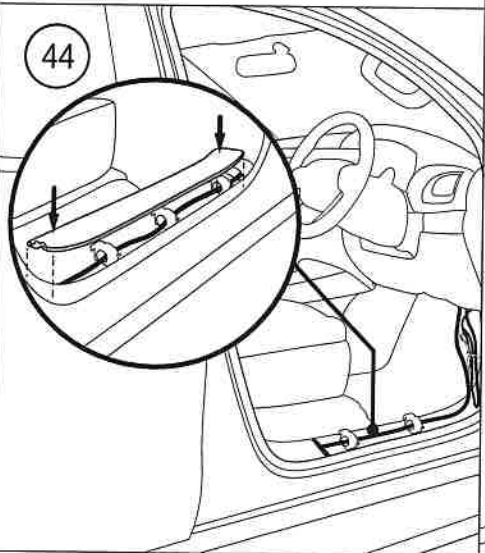
42

Tight up all the wiring by using the Cable Tie



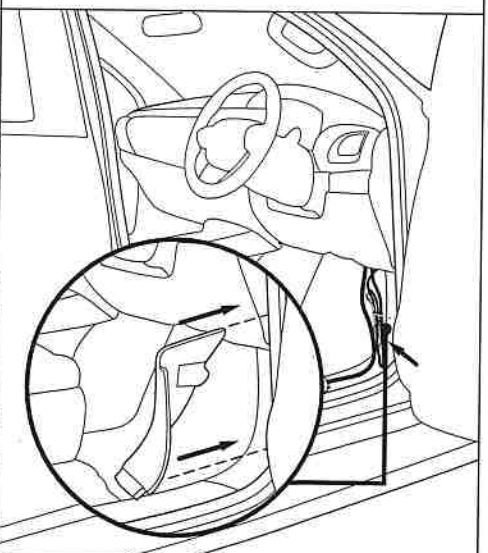
43

Reassemble the vehicle rear light.



44

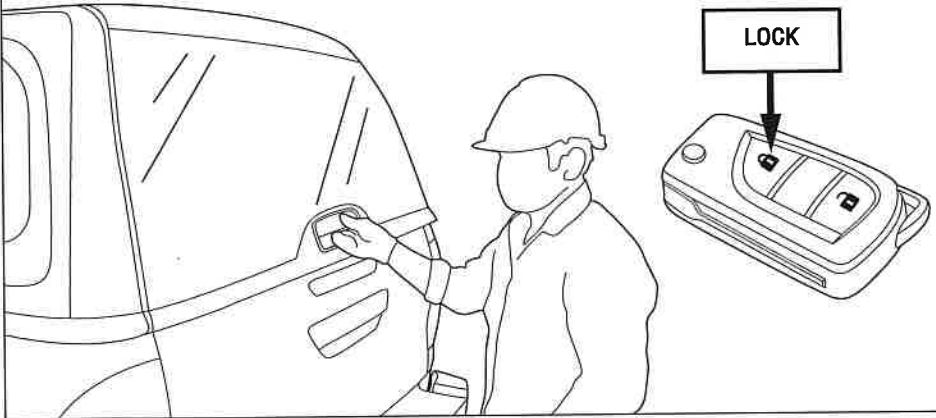
Tight up the wiring at the driver side by using the Cable Tie, then close the vehicle cover.





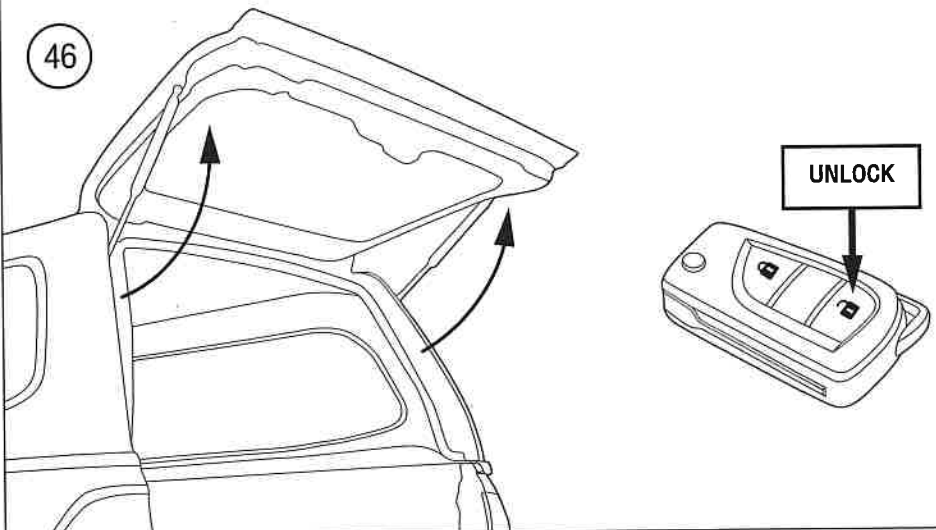
45

Check the Central Lock / Room Lamp working.



Central Lock checking by pressing the vehicle remote key at the Lock position, Canopy will be lock and cannot open.

46

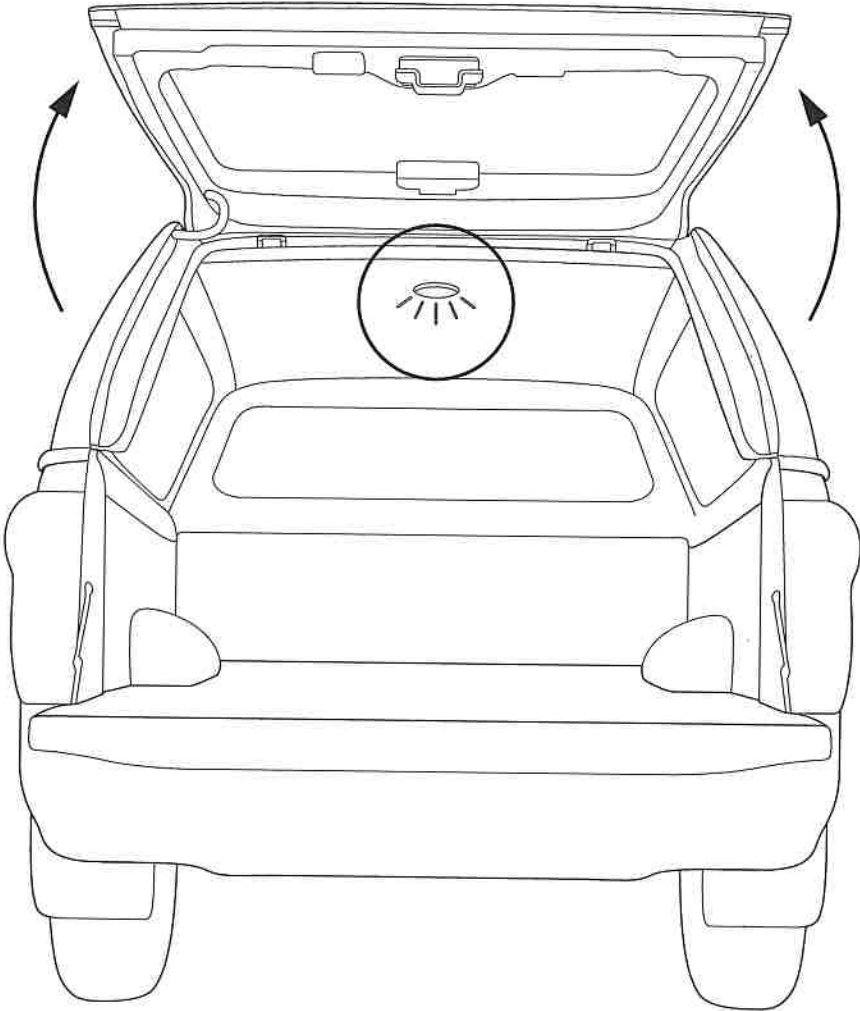


Central Lock checking by pressing the vehicle remote key at the Unlock position, Canopy will be open.





47



Room Lamp checking by opening the rear door then the Room Lamp will be on.

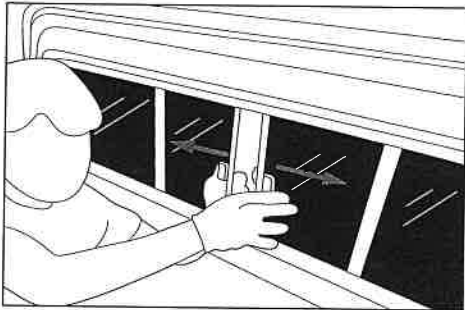


**SAMMITR**

# **Opening Function of all canopy model**

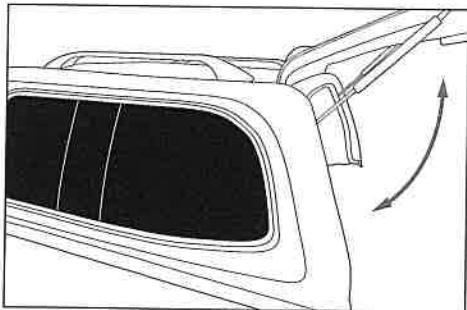
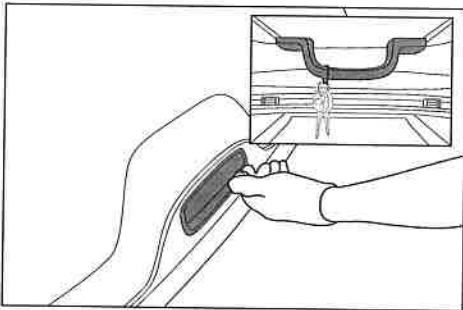


Front Window function usages will be the same for all model, V2, V4 and TL1.

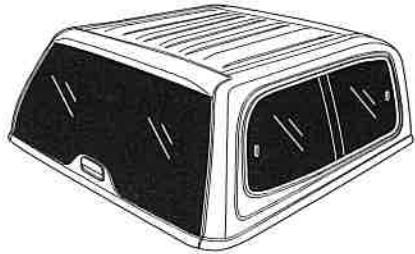


Use the key is unlock function will be the same for all model, V2, V4 and TL1.

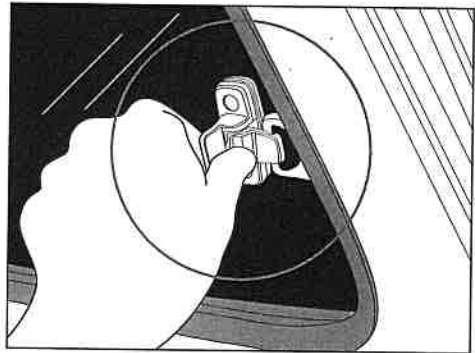
Open the backdoor function are different.



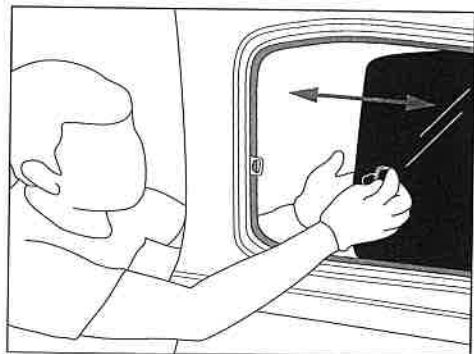
## User manual



### Slide Window (Left-Right)

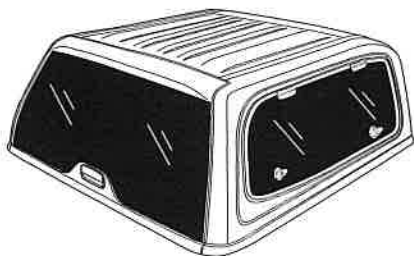


Squeeze the lock side to open.

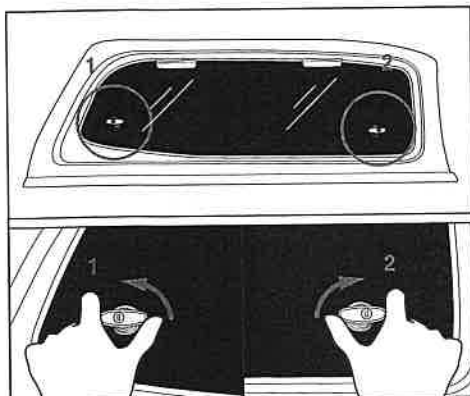


The Picture shows how to open the side window.

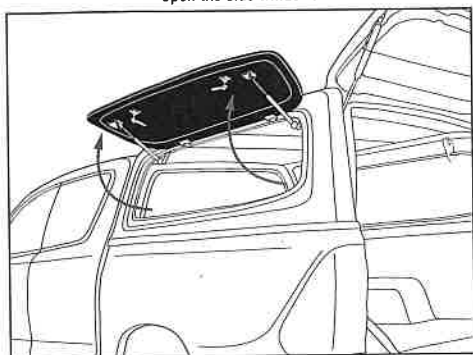
### User manual



**Glass Birdwing Window Left-Right  
(Handle Lock)**

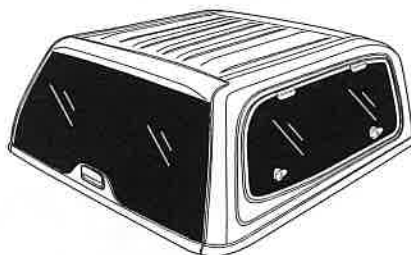


Turn around the canopy lock as shown in picture to open the side window.

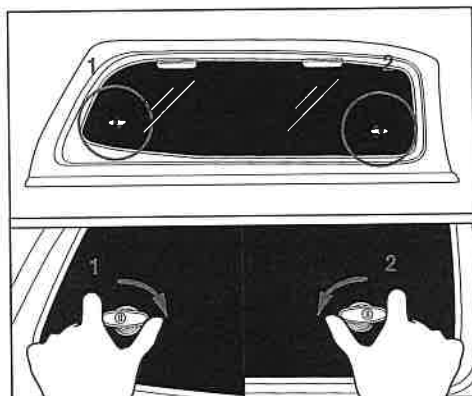


Picture shows how to open the side window.

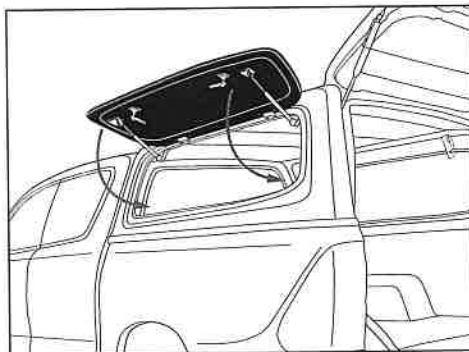
### User manual



**Glass Birdwing Window Left-Right  
(Handle Lock)**



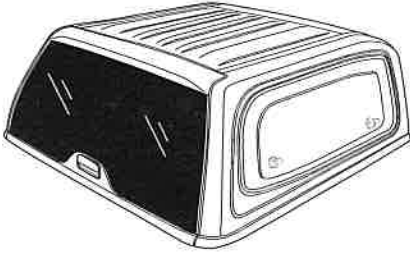
Turn around the canopy lock as shown in picture to close the side window.



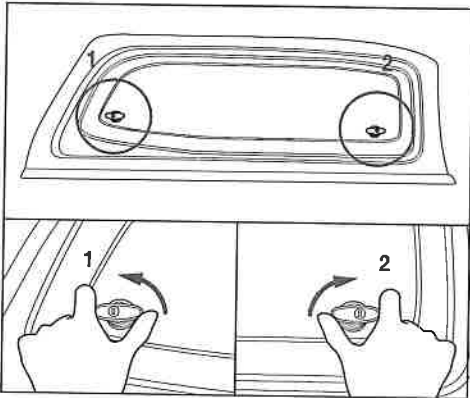
Picture shows how to close the side window.



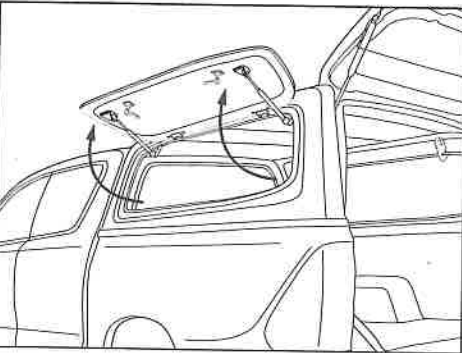
## User manual



Solid Birdwing Window Left-Right  
(Handle Lock)

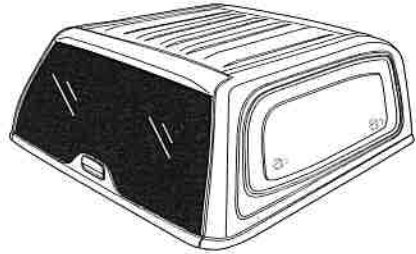


Turn around the canopy lock as shown in picture to open the side window.

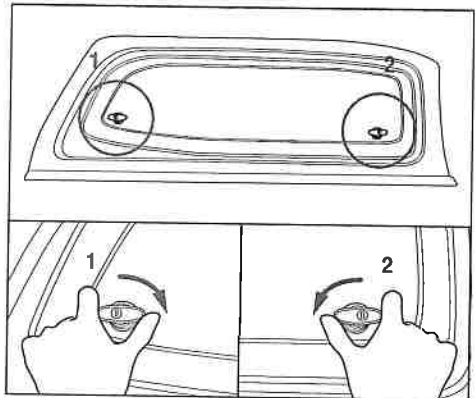


Picture shows how to open the side window.

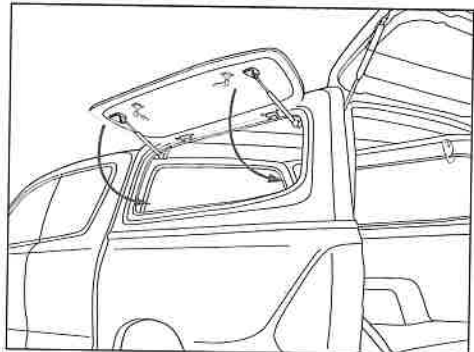
## User manual



Solid Birdwing Window Left-Right  
(Handle Lock)



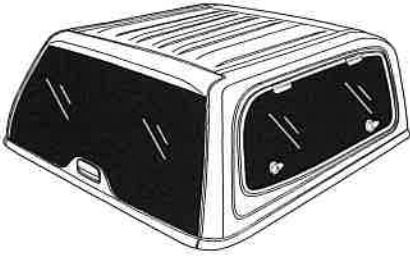
Turn around the canopy lock as shown in picture to close the side window.



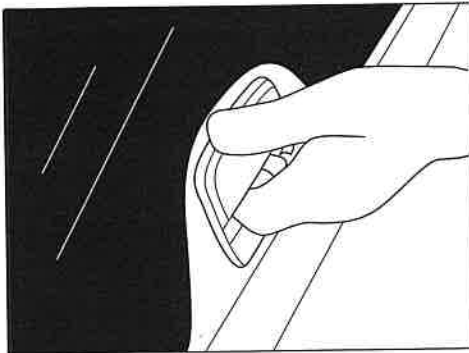
Picture shows how to close the side window.



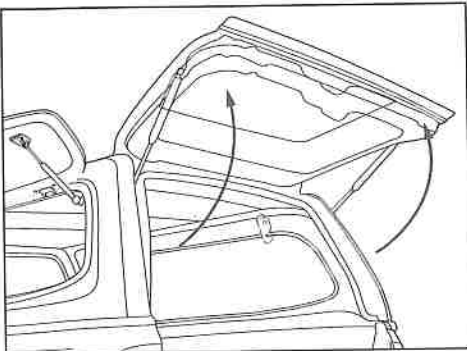
## User manual



Backdoor

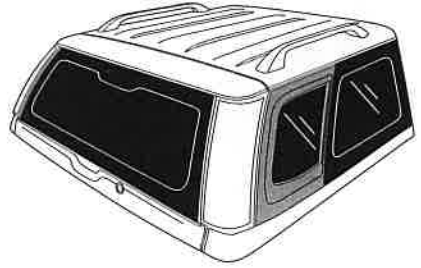


Use the handle as shown in picture to open the backdoor.

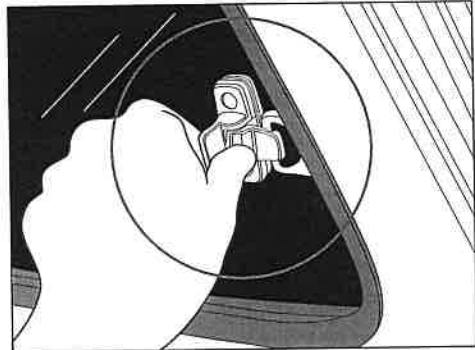


The Picture shows how to open the backdoor.

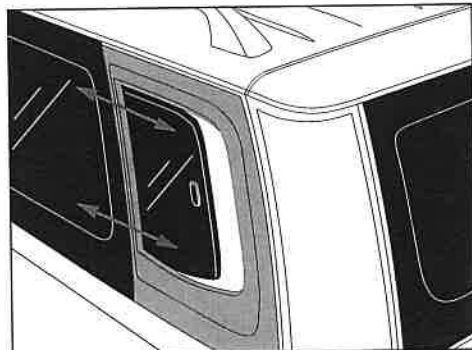
## User manual



Slide Window (Left-Right)

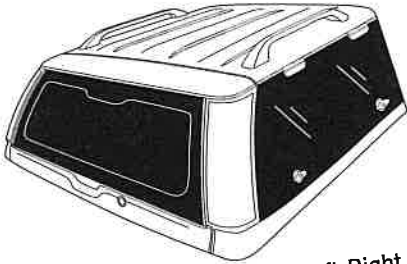


Squeeze the lock side to open.

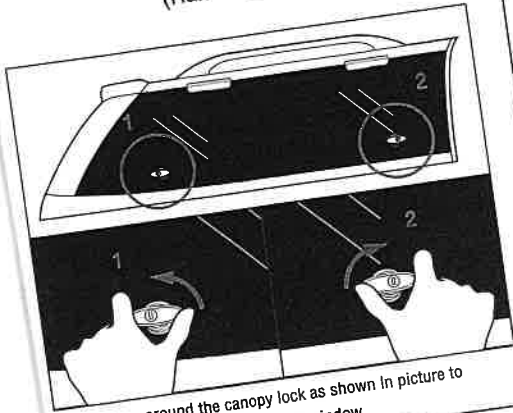


The Picture shows how to open the side window.

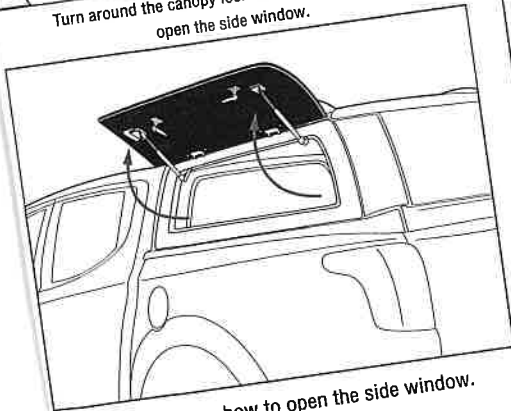
User manual



Glass Birdwing Window Left-Right (Handle Lock)

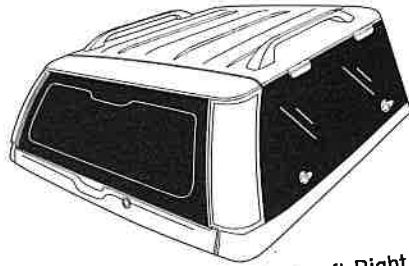


Turn around the canopy lock as shown in picture to open the side window.

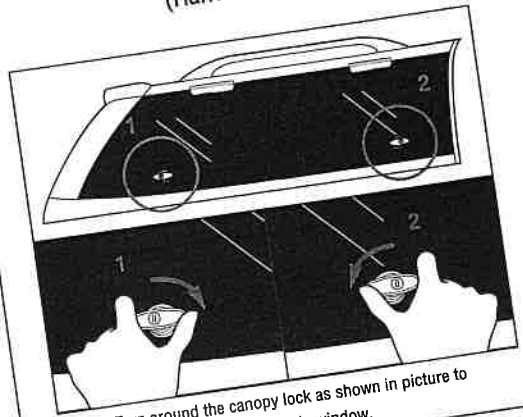


Picture shows how to open the side window.

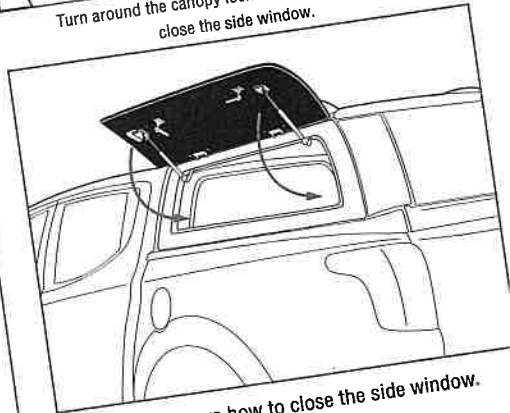
User manual



Glass Birdwing Window Left-Right (Handle Lock)



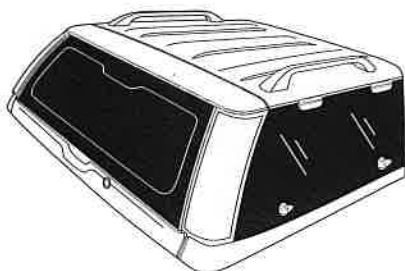
Turn around the canopy lock as shown in picture to close the side window.



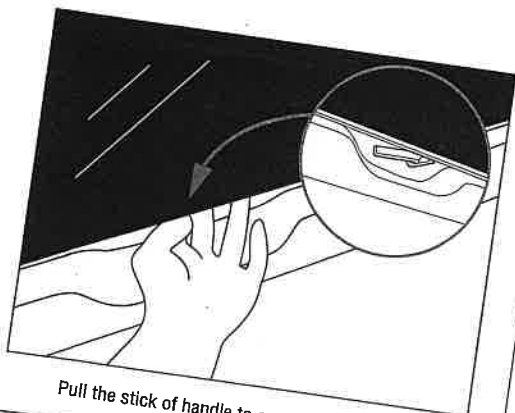
Picture shows how to close the side window.



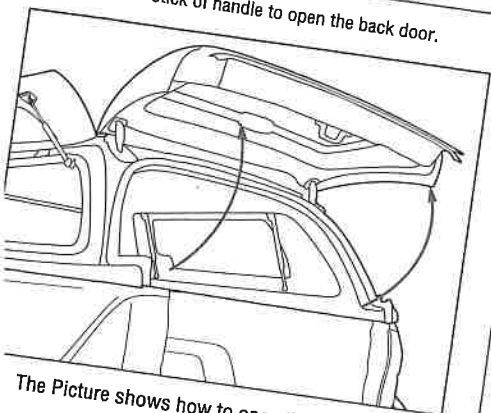
## User manual



Backdoor

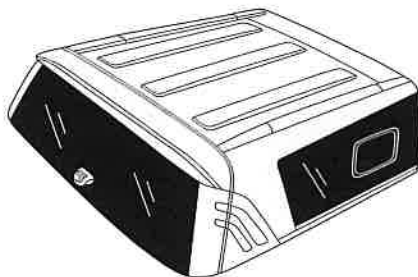


Pull the stick of handle to open the back door.

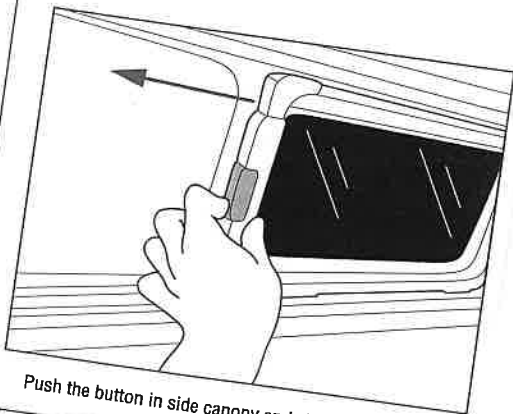


The Picture shows how to open the backdoor.

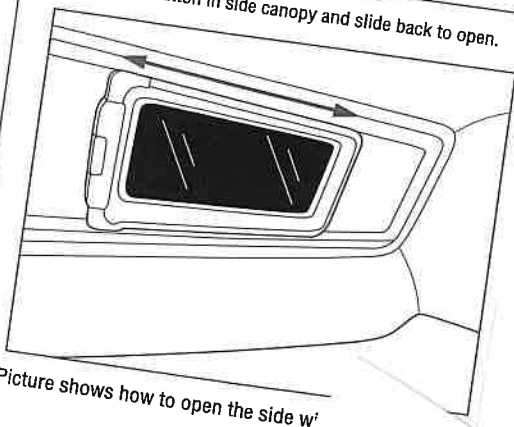
## User manual



Slide Window (Left-Right)



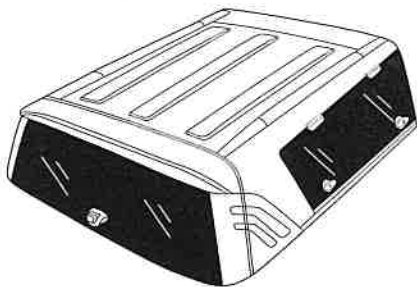
Push the button in side canopy and slide back to open.



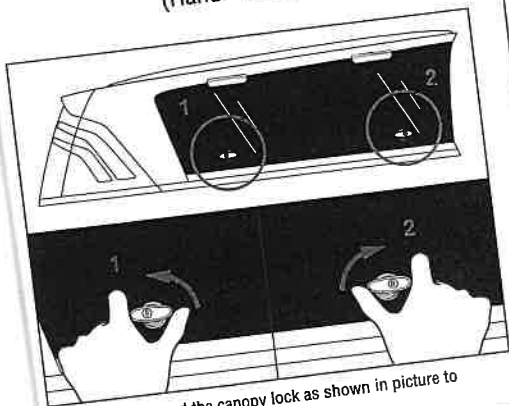
Picture shows how to open the side w'



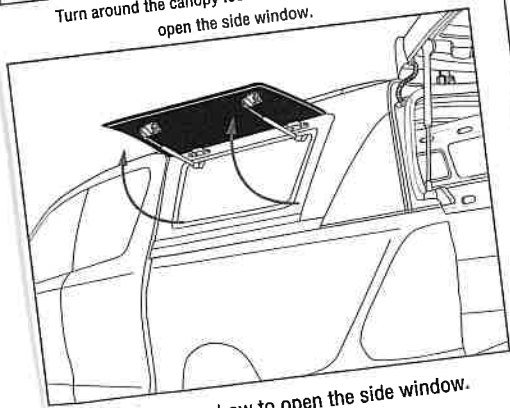
User manual



Glass Birdwing Window Left-Right  
(Handle Lock)

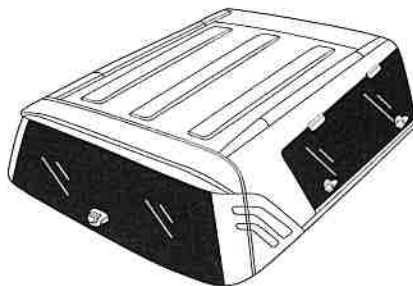


Turn around the canopy lock as shown in picture to open the side window.

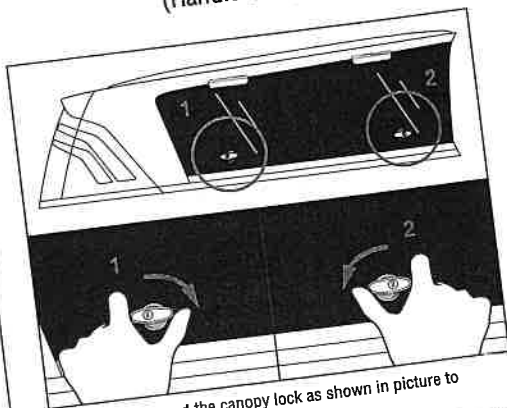


Picture shows how to open the side window.

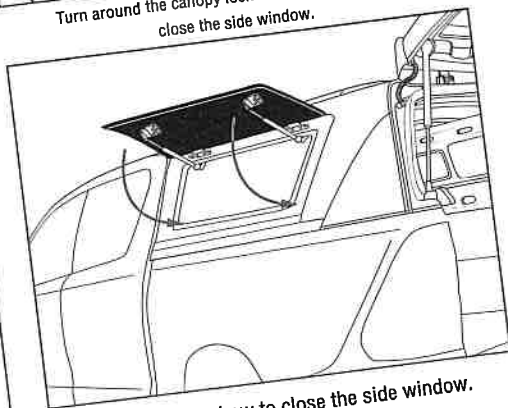
User manual



Glass Birdwing Window Left-Right  
(Handle Lock)



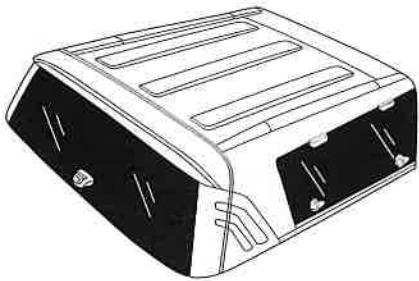
Turn around the canopy lock as shown in picture to close the side window.



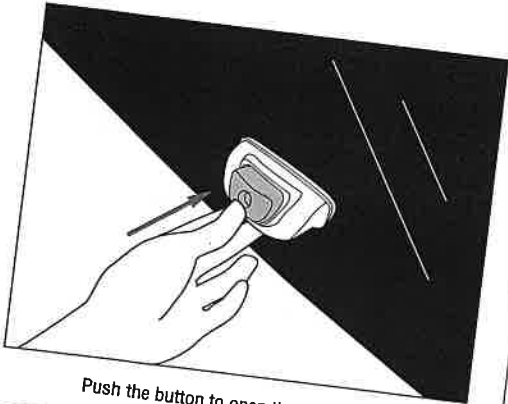
Picture shows how to close the side window.



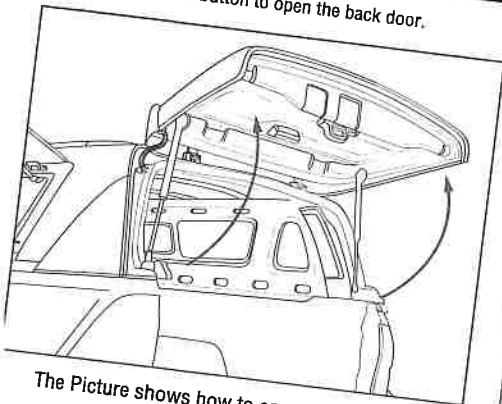
User manual



Backdoor



Push the button to open the back door.



The Picture shows how to open the backdoor.



