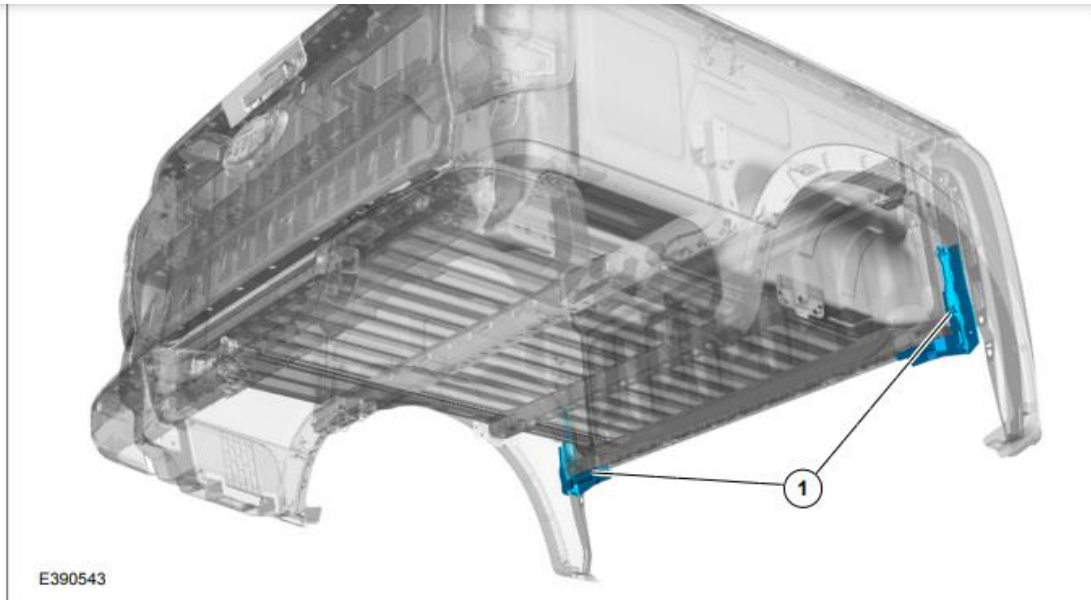


Ford Ranger and Raptor load box reinforcement - 2023

The following information is supplied by Ford in their "Body and Equipment Mounting Manual"

<https://www.ford.co.nz/content/dam/Ford/website-assets/ap/nz/owner/body-equipment-manuals/2022-ranger-bemm-base-and-raptor.pdf>

As requested by Ford, please contact them to ensure they have installed the correct load box reinforcement to enable you to use your vehicle as intended.



Item	Description
1	Load Box Reinforcement Brackets

These brackets have been developed by Ford to brace the floor to the wall of the load box to ensure durability performance of the load box is maintained with the installation of a Ford Licenced Accessory canopy.

Ford also makes these load box reinforcement brackets available as a Ford Licensed Accessories that can be purchased from any authorised Ford Dealer:

- Ranger (Excl. Raptor) Part Number: AMN1WJ27726AA / VN1WZ2627726A
- Ranger Raptor Part Number: AMN1WJ27726BA / VN1WZ2627726B

! CAUTION: These reinforcement brackets have been designed specifically for Ford Licensed Accessory Canopies and their suitability for use with any aftermarket (non Ford Licensed Accessory) canopy will need to be determined by the aftermarket canopy manufacturer or supplier.

Contact your National Sales Agent or your local Ford Dealer for information on the supply and installation of the reinforcement brackets.

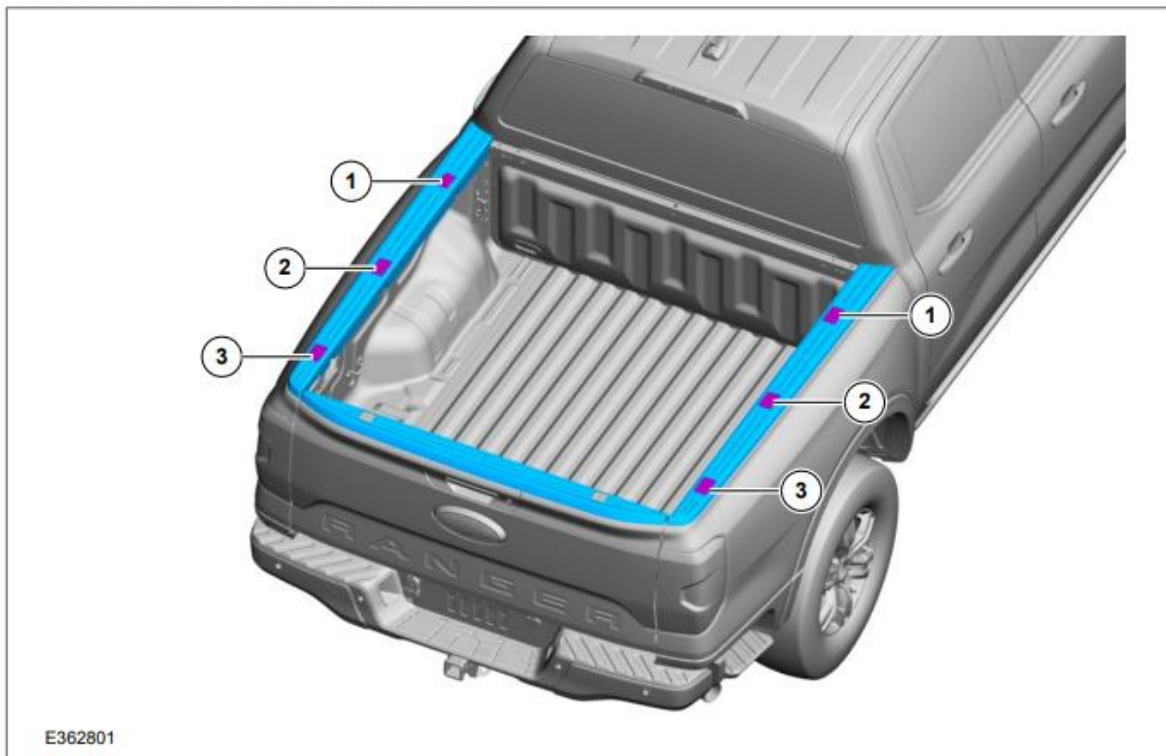
Canopy, Ladder Rack Canoe Rack

! CAUTION: When a canopy, ladder rack, canoe rack or similar load box mounted accessory is fitted, a combination of the indicated mounting points on top of the load box must be used for suitable fixture to the vehicle. Load bearing and heavy vehicle accessories must use cross plane attachment points to ensure secure fitment.

Load bearing and heavy vehicle accessories must use cross plane attachment points to ensure secure fitment.

This information from the Ford website is correct as of 30/8/23

Structural Attachment Points - Double Cab



E362801

Item	Description
1	Front structural attachment points - M8
2	Centre structural attachment points - M8
3	Rear structural attachment points - M8